

IOM manual

tapflo®

Mobile solutions for pumps and pump units

Edition 2019

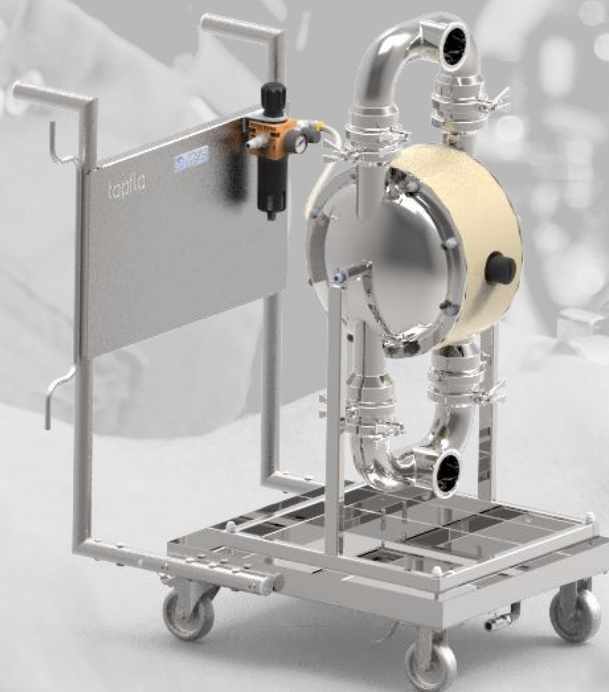


Read this instruction manual carefully
before you install and operate the pump.

Trolley models:

Troll HMO...

Troll HLO...



» All about your flow

www.tapflo.com

CONTENTS

0.	GENERAL	2
0.1.	Introduction	2
0.2.	Warning symbols	2
0.3.	Qualification and training of personnel	3
0.4.	Nameplate	3
1.	INSTALLATION	4
1.1.	Receiving inspection	4
1.2.	Storage	4
1.2.1.	Safety	4
1.2.2.	Cleaning and disinfection	4
2.	TECHNICAL DATA	5
2.1.	Appliance	5
2.2.	Dimensions and load capacities	5
2.2.1.	Trolleys HM0S and HM0X	6
2.2.2.	Trolleys HL0S and HL0X	7
3.	ASSEMBLY INSTRUCTION	8
3.1.	Assembly of the trolleys	8
3.1.1.	Trolleys HM0S, HM0X, HL0S & HL0X	8
3.2.	Assembly of a pump / pump unit, according to the measured dimensions of it	9
3.3.	Assembly of a pump / pump unit, according to the catalogue dimensions of it	9
4.	OPERATION	10
4.1.	Everyday inspections	10
4.2.	Periodical inspections	10
4.3.	Maintenance	10
4.4.	Repairs	10
4.5.	Disassembly and waste materials	10
4.6.	Spare parts	10

0. GENERAL

0. GENERAL

The following instruction manual embraces safety and operation rules for the mobile solution (trolleys) for pumps and pump units. Before beginning to operate the trolley and the devices mounted on it, please read this instruction carefully.

In case of any not understanding of the instruction, technical problems, or a need for spare parts – please contact your local Tapflo distributor.

WARNING:

Before placing an order for a trolley, please verify if the baseplate of a device mounted on the trolley does not exceed the available operation surface of the trolley. Moreover, it should be verified that the weight of the mounted device does not exceed allowed loads on the trolley.

The dimensions of the operation surfaces and the allowed loads on the trolleys are stated in paragraph 2 of this instruction manual.

0.1. Introduction

Mobile Pump Units are found as the best solution for the users of spread technological processes. The portability of the Units allows easy movement to various locations. This means almost limitless application.

Construction elements of the trolleys are made of AISI 304 stainless steel, which guarantees appropriate chemical resistance and mechanical strength.

With proper attention to maintenance, mobile solutions for pumps and pump units will give efficient and trouble free operation. This instruction manual will familiarize operator with detailed information about installing, operating and maintaining the pump.

0.2. Warning symbols

The following warning symbols are present in this instruction manual. This is what they say:



This symbol stands next to all safety instructions in this instruction manual where danger to life and limb may occur. Observe these instructions and proceed with utmost caution in these situations. Inform also other users of all safety instructions. In addition to the instructions in this instruction manual, the general safety and accident prevention regulations must be observed.



This symbol signals possible danger caused by the presence of electric fields or live wires.

0. GENERAL

0.3. Qualification and training of personnel



The personnel in charge of installation, operation and maintenance of the trolleys must be qualified to carry out the operations described in this manual. Tapflo shall not be held responsible for the training level of personnel and for the fact that they are not fully aware of the contents of this manual.

Operator of a trolley is obligated to obey safety and caution rules, including but not limited to:

- not exceeding allowed loads on a trolley,
- using a trolley in accordance with its appliance,
- providing even distribution of mass and stability of a trolley, while and after placing a pump or a pump unit on an operations surface of a trolley
- assembling pump or a pump unit to the trolley with connecting elements, in accordance with instruction manual of the assembled pump or pump unit,
- acting particularly carefully while driving a trolley along slope surfaces, it is unacceptable to drive a trolley crossways a slope surface.
- wearing protection clothing: protective gloves, shoes, goggles etc.
- securing the trolley from rolling down or turning over.

0.4. Nameplate

1 – model of a trolley, as below:

T r o l l H M O S

S – standard execution
 X –ATEX execution
 B – trolley with a cabinet for automation devices

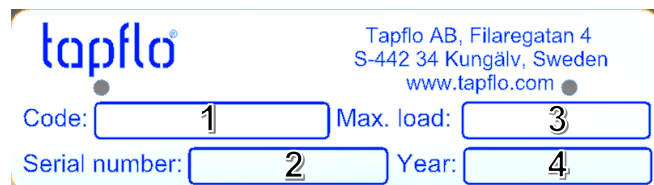
M – operation surface dimensions – 510x594
 L – operation surface dimensions – 510x1094

Troll – hygenic standard trolley of Tapflo, 2015

2 – serial number of a trolley



3 – allowed loads on a trolley

4 – year of production



A nameplate on a trolley should be kept clean, so it would always be possible to identify it.

1. INSTALLATION

1. INSTALLATION	
1.1. Receiving inspection	
	<p>Although precaution is taken by us when packing and shipping, we urge you to carefully check the shipment on receipt. Make sure that all parts and accessories listed on the packing list are accounted for. Immediately report any damage or shortage to the transport company and to us.</p> <p>A trolley can be sent as an assembled or unassembled device.</p> <p>A trolley can be transported on its own wheels or in other transportation way. While transporting a trolley, it should be secured from any damage.</p> <p>If weight of a trolley exceeds 40 kg, manual loading and unloading of it should be done by at least two persons.</p>
1.2. Storage	
	<p>If the equipment is to be stored prior to installation, place it in a clean location.</p> <p>Clean a trolley thoroughly before installation.</p>
1.2.1. Safety	
	<p>In the interest of health and safety it is essential to wear protective clothing and safety goggles when operating, and/or working in the vicinity of Tapflo trolleys.</p>
1.2.2. Cleaning and disinfection	
	<p>Cleaning and disinfection of a trolley is of greatest importance when a trolley is used in a food process installation. Use of a pump system that is NOT cleaned or disinfected can cause contamination of the product or environment. Application of sloped tray with drain valve and hygienic distances as the pump support allow easy and less time-consuming cleaning of the device. In order to drain the remaining liquid it's possible to unlock the drain valve below the tray.</p>

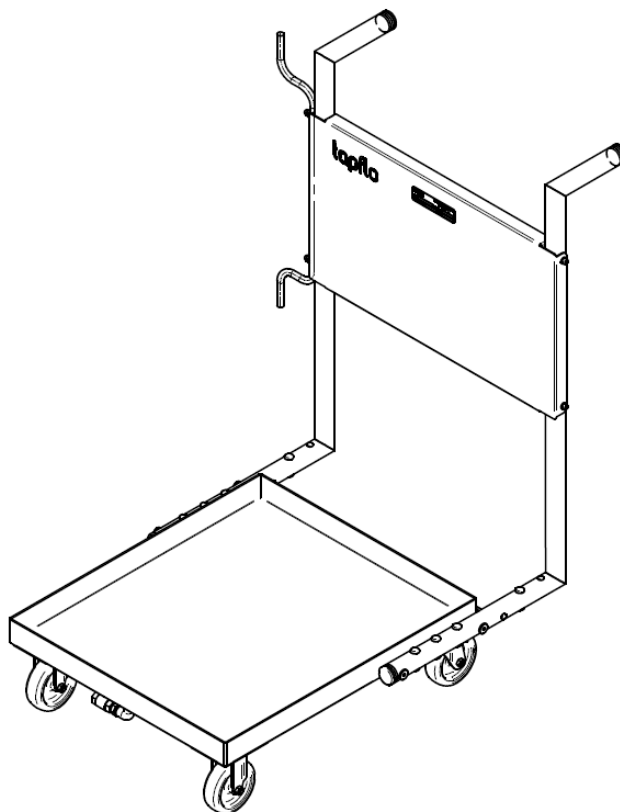
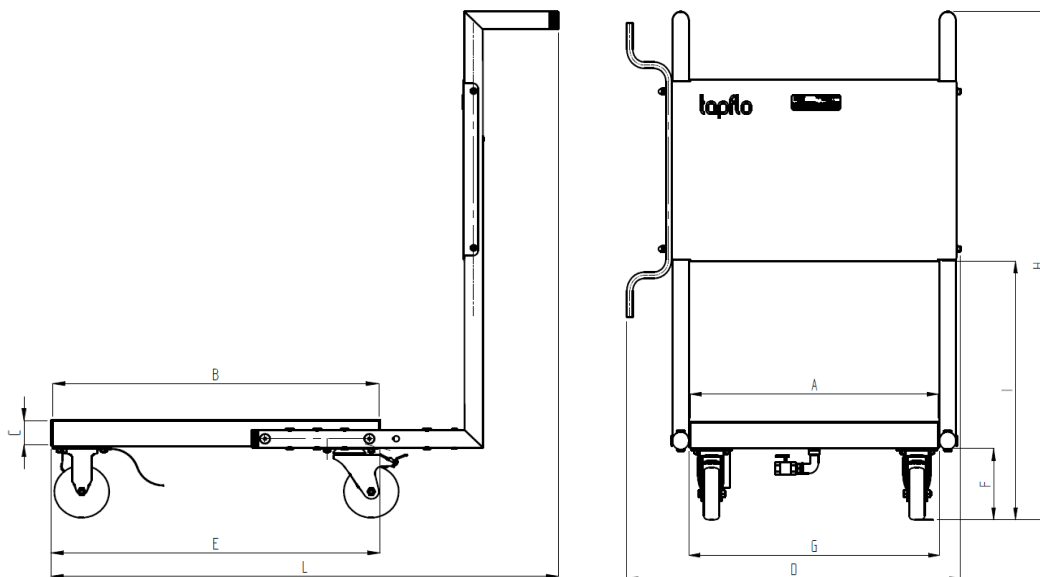
2. TECHNICAL DATA

2. TECHNICAL DATA	
2.1. Appliance	
	<p>Tapflo trolleys are designed for transportation of pumps or pump units, suitable for exact type of a trolley. It is not allowed to use Tapflo trolleys for transportation of any other devices.</p> <p><u>Appliance of Tapflo trolleys:</u> walking distance transportation of pumps and pump units, on the even, hardened surface.</p> <p>Trolleys should not be used for transportation on public roads.</p> <p>Working area: in-house facility transportation.</p>
2.2. Dimensions and load capacities	
	<p>Before placing an order for a trolley, please verify if the baseplate of a device mounted on the trolley does not exceed the available operation surface of the trolley. Moreover, it should be verified that the weight of the mounted device does not exceed allowed loads on the trolley.</p>

2. TECHNICAL DATA

2.2.1. Trolleys HM0S and HM0X

Allowed loads on the trolley – 110 kg

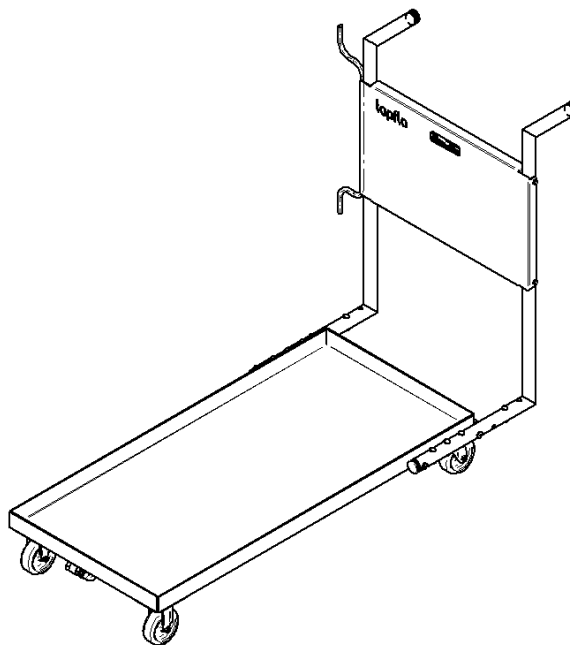
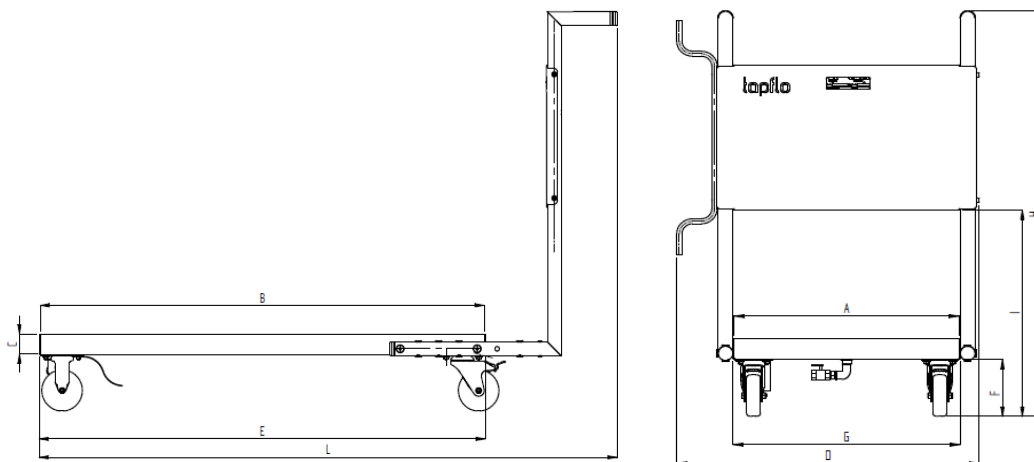


Code	A	B	C	D	E	F	G	H	I	L
HM0S	510	594	47	687	600	136	516	968	493	925
HM0X	510	594	47	687	600	136	516	968	493	925

2. TECHNICAL DATA

2.2.2. Trolleys HLOS and HLOX

Allowed loads on the trolley – 100 kg



Code	A	B	C	D	E	F	G	H	I	L
HLOS	510	1094	47	687	1100	136	516	968	493	1425
HLOX	510	1094	47	687	1100	136	516	968	493	1425

3. ASSEMBLY INSTRUCTION

3. ASSEMBLY INSTRUCTION

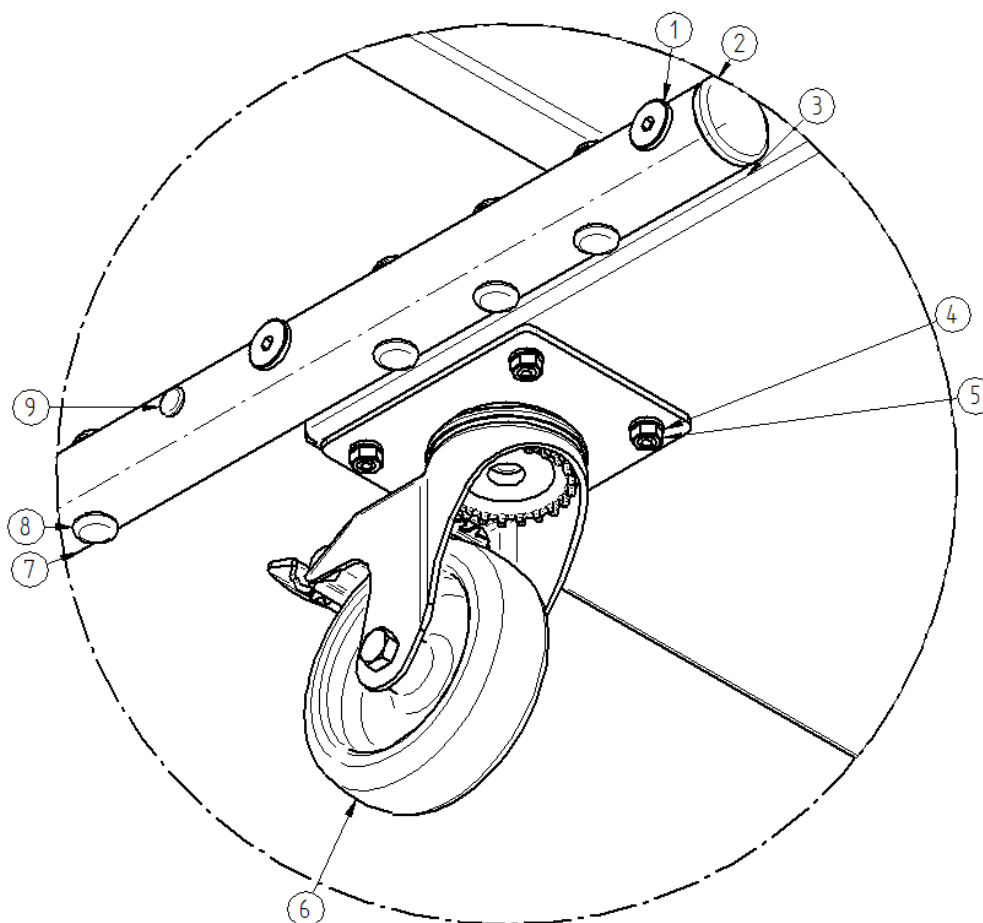
WARNING! Before assembling a device on a trolley, it should be verified that the weight of the mounted device does not exceed allowed loads on the trolley.

It should also be checked, if the weight of a trolley with a device mounted on it does not exceed limits stated in the local law regulations concerning manual transportation.

3.1. Assembly of the trolleys

A trolley can be sent to a customer as an unassembled device. If the trolley is sent unassembled, all the elements of it should be mounted before placing a pump or a pump unit – in accordance with this manual.

3.1.1. Trolleys HM0S, HM0X, HL0S & HL0X



	Element
1	M8 Ericsson screw
2,8,9	Plug
3	Trolley base
4	Washer
5	Nut
6	Wheel
7	Handling bar

3. ASSEMBLY INSTRUCTION

3.2.	Assembly of a pump / pump unit, according to the measured dimensions of it
	<ol style="list-style-type: none">1. Check locations and diameters of mounting holes of pump or pump unit,2. Place the assembled pump or pump unit on the operation surface of the trolley,3. Check for any collisions between assembled device, its mounting elements and parts of the trolley,4. Mark locations of the mounting holes of pump or pump unit on the operation surface of the trolley,5. Measure the diameters of mounting holes of the pump or pump unit,6. Drill mounting holes in the marked locations on the trolley's operation surface. Size of the drilled holes should be equal to the mounting holes of the pump or pump unit,7. Assembly the pump or pump unit on the trolley. Use only those connecting elements, which are typed in the instruction manual of the assembled pump or pump unit. <p>The assembly works should only be performed by qualified personnel and in accordance with the local safety regulations.</p>
3.3.	Assembly of a pump / pump unit, according to the catalogue dimensions of it
	<ol style="list-style-type: none">1. Check locations and diameters of mounting holes of pump or pump unit in the proper documentation,2. Check for any collisions between assembled device, its mounting elements and parts of the trolley,3. Mark locations of the mounting holes of pump or pump unit on the operation surface of the trolley,4. Drill mounting holes in the marked locations on the trolley's operation surface. Size of the drilled holes should be equal to the mounting holes of the pump or pump unit,5. Assembly the pump or pump unit on the trolley. Use only those connecting elements, which are typed in the instruction manual of the assembled pump or pump unit. <p>The assembly works should only be performed by qualified personnel and in accordance with the local safety regulations.</p>

4. OPERATION

4. OPERATION	
WARNING: While operating a trolley, it should always remain stable.	
4.1. Everyday inspections	
	Everyday inspection concerns general check-up of the device and its connecting elements. In case of noticing any damage of the device, all of the elements in operation should be immediately turned off.
4.2. Periodical inspections	
	<ul style="list-style-type: none">- Periodical inspection concerns check-up of the wheels' bearings, in particular check-up for clearances, mechanical damages and condition of connecting elements.- Periodical inspection should be performed at least every 6 months.- Every 3 months the wheels' bearings should be lubricated.
4.3. Maintenance	
	A trolley should be remained clean. It can be cleaned with water.
4.4. Repairs	
	In case of damaging or failure of a trolley, it should be repaired by using original spare parts, which can be ordered at Tapflo. While ordering spare parts, it is essential to provide Code and Serial number of a trolley. Repairs should only be performed by qualified personnel and in accordance with the local safety regulations.
4.5. Disassembly and waste materials	
	Disassembly of the used parts should be done by using universal tools. Disassembly should only be performed by qualified personnel and in accordance with the local safety regulations.
4.6. Spare parts	
	Spare parts for the trolleys are: <ul style="list-style-type: none">- wheels,- handling bars,- connecting elements. To order spare parts please contact your local Tapflo representative.

Sweden

Filaregatan 4 | S-442 34 Kungälv

Tel: +46 303 63390

Fax: +46 303 19916

E-mail addresses:

Commercial questions: sales@tapflo.com

Orders: order@tapflo.com

Tech support: support@tapflo.com

Tapflo products and services are available worldwide.

Tapflo is represented by own Tapflo Group Companies and carefully selected distributors assuring highest Tapflo service quality for our customers' convenience.

AUSTRALIA | AUSTRIA | AZERBAIJAN | BAHRAIN | BELGIUM | BOSNIA | BRAZIL | BULGARIA | CANADA | CHILE | CHINA | COLOMBIA | CROATIA | CZECH REPUBLIC | DENMARK | ECUADOR | EGYPT | ESTONIA | FINLAND | FRANCE | GEORGIA | GERMANY | GREECE | HONG-KONG | HUNGARY | ICELAND | INDIA | INDONESIA | IRELAND | ISRAEL | ITALY | JAPAN | JORDAN | KAZAKHSTAN | KUWAIT | LATVIA | LIBYA | LITHUANIA | MACEDONIA | MALAYSIA | MEXICO | MONTENEGRO | MOROCCO | NETHERLANDS | NEW ZEALAND | NORWAY | OMAN | PHILIPPINES | POLAND | PORTUGAL | QATAR | ROMANIA | SAUDI ARABIA | SERBIA | SINGAPORE | SLOVAKIA | SLOVENIA | SOUTH AFRICA | SOUTH KOREA | SPAIN | SWEDEN | SWITZERLAND | TAIWAN | THAILAND | TURKEY | UKRAINE | UNITED ARAB EMIRATES | UNITED KINGDOM | USA | UZBEKISTAN | VIETNAM

Tapflo Group Companies

Australia

Tapflo Oceania (Pty) Ltd.
Tel: +61 1800303633
sales@tapflo.com.au

China

Tapflo (Wuxi) Pumps Co. Ltd.
Tel: +86 51082417072
sales@tapflo.cn

Ireland

Tapflo Ireland Ltd.
Tel: +353 12011911
info@tapflo.ie

Poland

Tapflo Sp. z o.o.
Tel: +48 609 995 500
info@tapflo.pl

Spain

Tapflo Ibérica S.L.
Tel: +34 918093182
avives@tapfloiberica.es

Uzbekistan

Tapflo Uzbekistan
Tel: +998 712370940
sales@tapflo.uz

Austria

Tapflo GmbH
Tel: +43 73227292910
sales@tapflo.at

Croatia

Tapflo d.o.o.
Tel: +385 914884666
sales@tapflo.hr

Italy

Tapflo Italia S.r.l.
Tel: +39 0362306528
info@tapfloitalia.com

Qatar

Tapflo Gulf General Trading Co. L.L.C
Tel: +971 58 582 3630
sales@tapfloqulf.com

South Africa

Tapflo (Pty) Ltd.
Tel: +27 317015255
sales@tapflo.co.za

Bahrain

Tapflo Gulf General Trading Co. L.L.C
Tel: +971 58 582 3630
sales@tapfloqulf.com

Czech Republic

Tapflo s.r.o.
Tel: +420 513033920
tapflo@tapflo.cz

Japan

Tapflo Japan K.K.
Tel: +81 362403510
tapflojp@tapflo.co.jp

Romania

S.C. Tapflo Rom. S.r.l.
Tel: +40 213451255
sales@tapflo.ro

Sweden

Tapflo AB Tel: +46
(0)30314050 info@tapflo.com

Baltic States

Tapflo SIA
Tel: +371 67472205
sales@tapflo.lv

Denmark

Tapflo Danmark ApS
Tel: +45 36454600
info@tapflo.dk

Kazakhstan

Tapflo LLP
Tel: +7 727 327 83 47
sales@tapflo.kz

Saudi Arabia

Tapflo Gulf General Trading Co. L.L.C
Tel: +971 58 582 3630
sales@tapfloqulf.com

Turkey

Tapflo Makina Ltd.
Tel: +90 2164673311
sales@tapflo.com.tr

Belgium

Tapflo Benelux B.V.
Tel: +31 (0) 6 21850664
info@tapflo.nl

France

Sarl Tapflo France
Tel: +33188788240
info@tapflo.fr

Kuwait

Tapflo Gulf General Trading Co. L.L.C
Tel: +971 58 582 3630
sales@tapfloqulf.com

Serbia

Tapflo d.o.o.
Tel: +381 21445808
sales@tapflo.rs

Ukraine

Tapflo LLC
Tel: +380 442226844
sales@tapflo.ua

Bulgaria

Tapflo EOOD
Tel: +359 886 124 937
office@tapflo.bg

Hungary

Tapflo Kft.
Tel: +36 30148 8551
office@tapflo.hu

Netherlands

Tapflo Benelux B.V.
Tel: +31 (0) 6 21850664
info@tapflo.nl

Slovakia

Tapflo s.r.o.
Tel: +421 911137883
tapflo@tapflo.sk

Canada

Tapflo Canada
Tel: +1 514 409 8380
office@tapflo.ca

India

Tapflo Fluid Handling India Pvt Ltd.
Tel: +91 9028574063
enquiry@tapflo.in

Oman

Tapflo Gulf General Trading Co. L.L.C
Tel: +971 58 582 3630
sales@tapfloqulf.com

Slovenia

Tapflo d.o.o.
Tel: +386 68613474
sales@tapflo.hr

United Arab Emirates

Tapflo Gulf General Trading Co. L.L.C
Tel: +971 58 582 3630
sales@tapfloqulf.com

United Kingdom

Tapflo (UK) Ltd.
Tel: +44 2380252325
sales@tapflo pumps.co.uk



If your country is not listed please visit www.tapflo.com/en/contact