

tapflo®

CTM MAGNETIC DRIVE CENTRIFUGAL PUMPS

2026 | 1



» All about your flow®

www.tapflo.com

CTM Magnetic Drive Centrifugal Pumps

work perfectly with chemically corrosive and toxic liquids

CTM is a compact close coupled pump perfect for service in little spaces like in OEM installations.

Tapflo CTM magnetic drive pumps are centrifugal pumps where the power from the motor is transmitted to the impeller by means of a magnetic coupling.

CTM pumps are designed and manufactured for transfer of chemicals and circulation in surface treatment industry.

CTM PP - polypropylene execution

- » temperature resistance **up to 70 °C**
- » provides great mechanical strength

CTM PVDF - polyvinylidene fluoride execution

- » temperature resistance **up to 90 °C**
- » superior chemical resistance

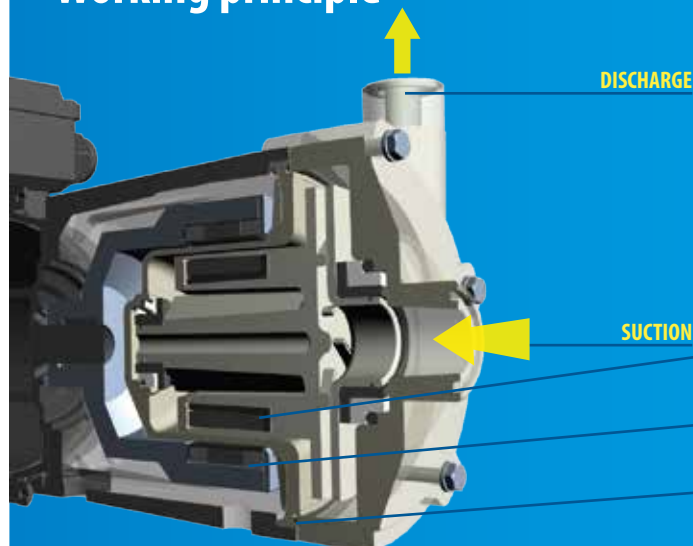


Certificates may vary depending on material execution of particular product.

Features

- ✓ No leakage
- ✓ Economical operation
- ✓ Hermetic system
- ✓ Magnetic power transmission
- ✓ Seal less pump

Working principle



The power from the motor is transmitted to the impeller by means of a magnetic coupling.

A so called isolation shell between the drive magnet and the impeller magnet separates the liquid side from the drive.

IMPELLER MAGNET ASSEMBLY
Driven by the drive magnet assembly

DRIVE MAGNET ASSEMBLY
Connected to the motor

ISOLATION SHELL
(Rear housing) separating the liquid side from the atmosphere

Wide range of applications

CTM

Industries:

- » **chemical,**
- » **surface treatment,**
- » **machinery, echanical,**
- » **foundry,**
- » **paint,**
- » **wastewater treatment plants**

Applications:

acids,
toxic and corrosive chemicals,
detergent concentrates,
circulation of galvanic baths,

feeding and unloading of storage tanks, filters,
containers, sumps.

powering process equipment, dosing systems,
dispensing units, test rigs.



Compact but powerful

Reliable design without shaft

The **impeller magnet assembly** is designed **with very powerful bushings** where a conventional crack sensitive shaft is not needed.

This results in a **pump that has fewer parts** and is **very reliable in service**.

Powerful magnet couplings

Our magnets in NdFeB (neodymium-iron-boron) with our unique magnet cage system **have a superior strength also under demanding circumstances**.

The power from the drive is transmitted **even at high temperatures** and with high specific gravity liquids.

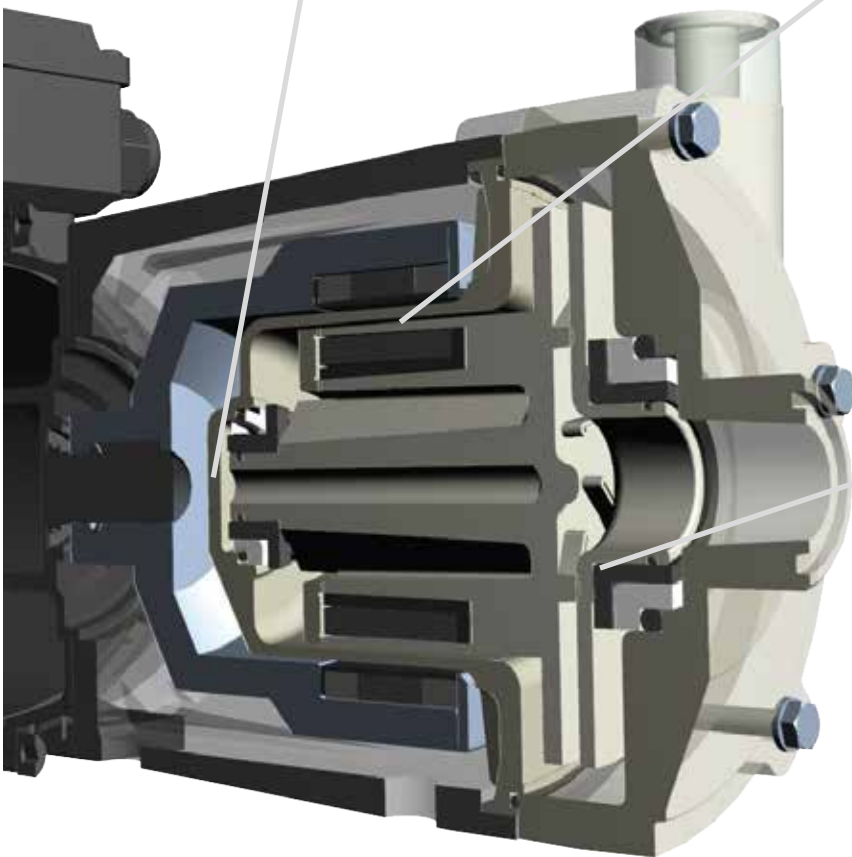
Furthermore, the robust steel frame for the external magnet increases the magnet power and grants a gentle start-up of the pump.

Non-metallic pumps

The wetted components are non-metallic injection moulded thermoplastics enabling **excellent corrosion resistance**.

The version in **PP-GF** (glass fibre reinforced polypropylene) provides **great mechanical strength** and allows liquid **temperatures up to 70 °C**.

The **PVDF** (polyvinylidene fluoride) version has **superior chemical resistance** and allows **temperatures up to 90 °C**.

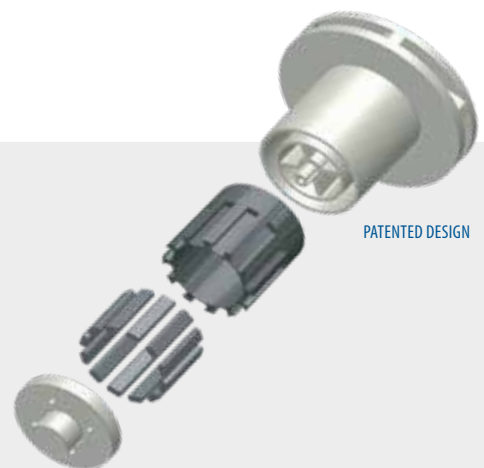


Excellent performance with magnet cage system

The magnets are encapsulated in their cage with the unique system that avoids the use of resins and glue.

This grants a safe system with better performance at high temperatures. Furthermore, the impeller is injection moulded, resulting in excellent performance and no weak points.

CTM20-7 has a semi-open impeller while models CTM25-8, CTM25-10, CTM32-12,5, CTM40-12,5 and CTM50-12,5 have closed impellers to obtain best pumping parameters.



CTM PP & PVDF

Materials, data and limits

	20-7	25-8; 25-10; 32-12.5; 40-12.5; 50-12.5
Casing	PP-GF (30%), PVDF	
Impeller	PP or PVDF	
O-rings:	EPDM, FKM, FEP/FKM, FFKM	
Motor*	IEC standard, 3-phase, 2-pole, IP55	
Pressure rating	PP: PN4 at 20 °C, PN2 at 70 °C PVDF: PN4 at 20 °C, PN2 at 80 °C	PP: PN6 at 20 °C; PN2 at 70 °C PVDF: PN6 at 20 °C; PN2 at 90 °C
Temp.	PP: 0 °C - 70 °C	
	PP: from 0 °C up to 80 °C	PVDF: from -20°C up to 90 °C
Viscosity	max ~100 cSt	

*other motor options available on request

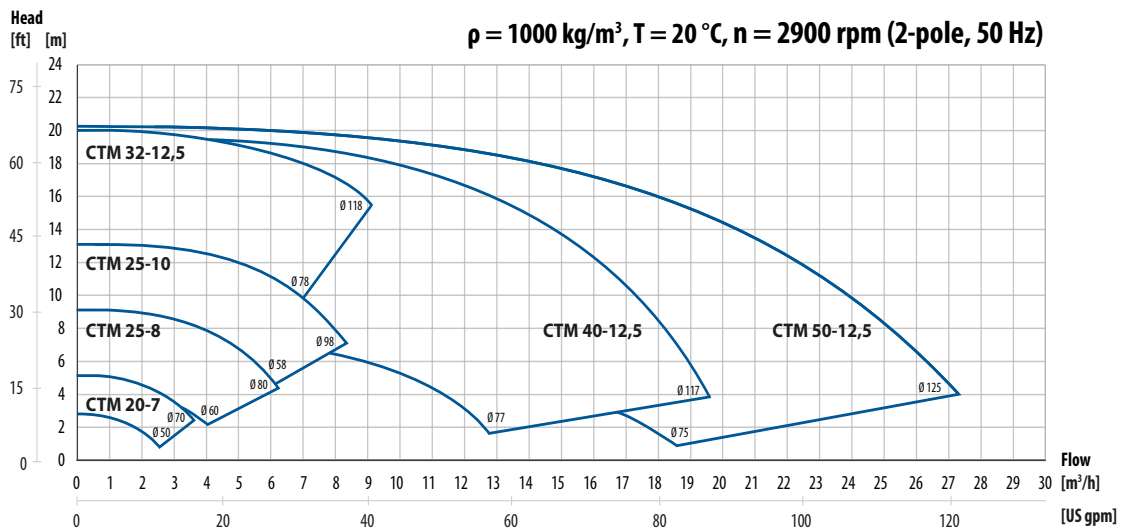


Connection dimensions

Model	BSPT male thread (standard)		DIN 2633/ PN16 flange		Hose	
	Inlet	Outlet	Inlet	Outlet	Inlet	Outlet
CTM 20-7	¾"	¾"	-	-	-	-
CTM 25-8	1"	1"	DN25	DN25	Ø25	Ø25
CTM 25-10	1"	1"	DN25	DN25	Ø25	Ø25
CTM 32-12.5	1 ¼"	1"	DN32	DN25	Ø32	Ø25
CTM 40-12.5	1 ½"	1 ¼"	DN40	DN32	Ø40	Ø32
CTM 50-12.5	2"	1 ½"	DN50	DN40	Ø50	Ø40

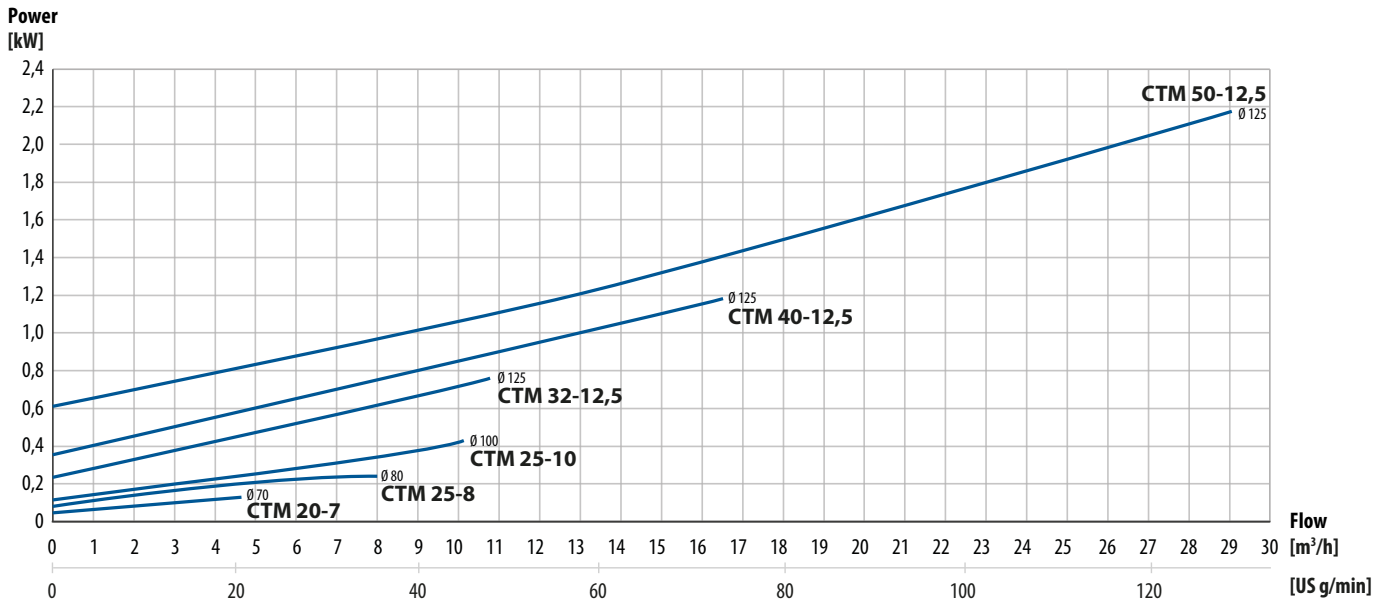
Performance curves

The performance curves are based on water.



Available motor powers

2-pole motor	20-7	25-8	25-10	32-12.5	40-12.5	50-12.5
Motor power [kW]	0.12	0.25	0.55	0.75 1.1	1.5 2.2	3.0 4.0
IEC motor size	56	63	71	80	90	100 112



CTM Pump code

I. Tapflo magnetic drive centrifugal pump II. Pump size III. Pump housing material IV. Pump options V. Motor power VI. Motor options

CTM **25-10** **P** **1V** **05** **P**

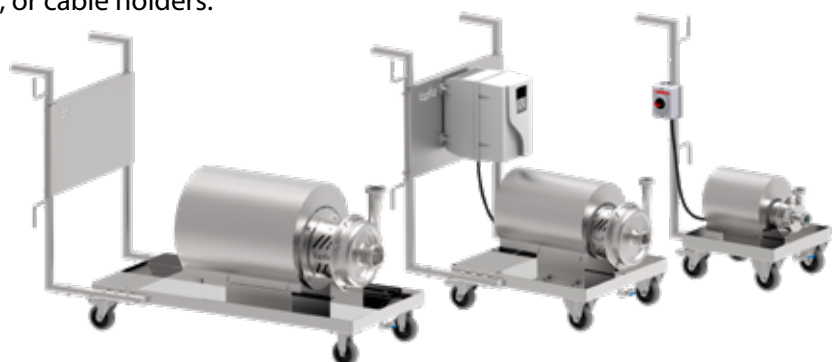
Mobile Pump Solutions

solve the problem of spread technological processes

The portability of the units allows easy movement to various locations. This means almost limitless application. Mobile pump units are available in both hygienic and industrial designs. The great advantage is the compatibility with the majority of Tapflo centrifugal pumps range. Moreover, it is possible to compose the trolley to your own needs by using a number of accessories such as ON-OFF switches, frequency inverters, or cable holders.

Hygienic Trolleys

- » Stainless steel polished drip tray
- » Valve for drainage
- » 3 sizes available













Industrial Trolleys

- » Stainless steel construction
- » Compact and strong baseplate
- » 3 sizes available



Product range

Diaphragm pumps

 Electrically operated pumps	 PE & PTFE pumps	 Metal pumps	 Pharmaceutical pumps	 Sanitary pumps
 TC Intelligent pumps	 Powder pumps	 TF Filter press pumps	 Steinle filter press pumps	 Aseptic pumps

Centrifugal pumps

 CTXH & I, CTH & I pumps	 CTXS H & I, CTS H & I self-priming pumps	 CTV vertical pumps	 CTP plastic pumps	 CTM magnetic drive pumps
--	---	---	---	---

Other pumps

 Hose pumps

 Submersible pumps
--

 LPX Lobe pumps*
--

Mixers

 Industrial Mixers

Systems

 HVS Quattro Drum Unloading System
--

Filters


 FT Filter units
--

Accessories

 Pulsation dampeners
--

 Control systems
--

 Hygienic valves

 Hygienic & Industrial Trolleys

• offered only in: Australia, Austria, Canada, Denmark, France, Germany, Ireland, Italy, Japan, Netherlands, Portugal, South Africa, Spain, Sweden, United Kingdom

Sweden

Filaregatan 4 | S-442 34 Kungälv

Tel: +46 303 63390

Fax: +46 303 19916

E-mail addresses:

Commercial questions: sales@tapflo.com

Orders: order@tapflo.com

Tech support: support@tapflo.com

Österreich

Töpferweg 1 | 4320 Perg

Tel: +43 732 272 929 10

Fax: +43 732 272 929 00

E-mail: sales@tapflo.at

Tapflo products and services are available worldwide.

Tapflo is represented by own Tapflo Group Companies and carefully selected distributors assuring highest Tapflo service quality for our customers' convenience.

AUSTRALIA | AUSTRIA | AZERBAIJAN | BAHRAIN | BELGIUM | BOSNIA | BRAZIL | BULGARIA | CANADA | CHILE | CHINA | COLOMBIA | CROATIA | CZECH REPUBLIC | DENMARK | ECUADOR | EGYPT | ESTONIA | FINLAND | FRANCE | GEORGIA | GERMANY | GREECE | HONG-KONG | HUNGARY | ICELAND | INDIA | INDONESIA | IRELAND | ISRAEL | ITALY | JAPAN | JORDAN | KAZAKHSTAN | KUWAIT | LATVIA | LIBYA | LITHUANIA | MACEDONIA | MALAYSIA | MEXICO | MONTENEGRO | MOROCCO | NETHERLANDS | NEW ZEALAND | NORWAY | OMAN | PHILIPPINES | POLAND | PORTUGAL | QATAR | ROMANIA | SAUDI ARABIA | SERBIA | SINGAPORE | SLOVAKIA | SLOVENIA | SOUTH AFRICA | SOUTH KOREA | SPAIN | SWEDEN | SWITZERLAND | TAIWAN | THAILAND | TURKEY | UKRAINE | UNITED ARAB EMIRATES | UNITED KINGDOM | USA | UZBEKISTAN | VIETNAM

Tapflo Group Companies

Australia

Tapflo Oceania (Pty) Ltd.
Tel: +61 1800303633
sales@tapflo.com.au

China

Tapflo (Wuxi) Pumps Co. Ltd.
Tel: +86 51082417072
sales@tapflo.cn

Ireland

Tapflo Ireland Ltd.
Tel: +353 12011911
info@tapflo.ie

Poland

Tapflo Sp. z o.o.
Tel: +48 609 995 500
info@tapflo.pl

Spain

Tapflo Ibérica S.L.
Tel: +34 918093182
avives@tapfloiberica.es

Uzbekistan

Tapflo Uzbekistan
Tel: +998 712370940
sales@tapflo.uz

Austria

Tapflo GmbH
Tel: +43 73227292910
sales@tapflo.at

Croatia

Tapflo d.o.o.
Tel: +385 914884666
sales@tapflo.hr

Italy

Tapflo Italia S.r.l.
Tel: +39 0362306528
info@tapfloitalia.com

Qatar

Tapflo Gulf General Trading Co. L.L.C
Tel: +971 58 582 3630
sales@tapfloqulf.com

South Africa

Tapflo (Pty) Ltd.
Tel: +27 317015255
sales@tapflo.co.za

Bahrain

Tapflo Gulf General Trading Co. L.L.C
Tel: +971 58 582 3630
sales@tapfloqulf.com

Czech Republic

Tapflo s.r.o.
Tel: +420 513033920
tapflo@tapflo.cz

Japan

Tapflo Japan K.K.
Tel: +81 362403510
tapflojp@tapflo.co.jp

Romania

S.C. Tapflo Rom. S.r.l.
Tel: +40 213451255
sales@tapflo.ro

Sweden

Tapflo AB
Tel: +46 (0)30314050
info@tapflo.com

Baltic States

Tapflo SIA
Tel: +371 67472205
sales@tapflo.lv

Denmark

Tapflo Danmark ApS
Tel: +45 36454600
info@tapflo.dk

Kazakhstan

Tapflo LLP
Tel: +7 727 327 83 47
sales@tapflo.kz

Saudi Arabia

Tapflo Gulf General Trading Co. L.L.C
Tel: +971 58 582 3630
sales@tapfloqulf.com

Turkey

Tapflo Makina Ltd.
Tel: +90 2164673311
sales@tapflo.com.tr

Belgium

Tapflo Benelux B.V.
Tel: +31 (0) 6 21850664
info@tapflo.nl

France

Sarl Tapflo France
Tel: +33188788240
info@tapflo.fr

Kuwait

Tapflo Gulf General Trading Co. L.L.C
Tel: +971 58 582 3630
sales@tapfloqulf.com

Serbia

Tapflo d.o.o.
Tel: +381 21445808
sales@tapflo.rs

Ukraine

Tapflo LLC
Tel: +380 442226844
sales@tapflo.ua

Bulgaria

Tapflo EOOD
Tel: +359 886 124 937
office@tapflo.bg

Hungary

Tapflo Kft.
Tel: +36 30148 8551
office@tapflo.hu

Netherlands

Tapflo Benelux B.V.
Tel: +31 (0) 6 21850664
info@tapflo.nl

Slovakia

Tapflo s.r.o.
Tel: +421 911137883
tapflo@tapflo.sk

United Arab Emirates

Tapflo Gulf General Trading Co. L.L.C
Tel: +971 58 582 3630
sales@tapfloqulf.com

Canada

Tapflo Canada
Tel: +1 514 409 8380
office@tapflo.ca

India

Tapflo Fluid Handling India Pvt Ltd.
Tel: +91 9028574063
enquiry@tapflo.in

Oman

Tapflo Gulf General Trading Co. L.L.C
Tel: +971 58 582 3630
sales@tapfloqulf.com

Slovenia

Tapflo d.o.o.
Tel: +386 68613474
sales@tapflo.hr

United Kingdom

Tapflo (UK) Ltd.
Tel: +44 2380252325
sales@tapflo pumps.co.uk



If your country is not listed please visit www.tapflo.com/en/contact