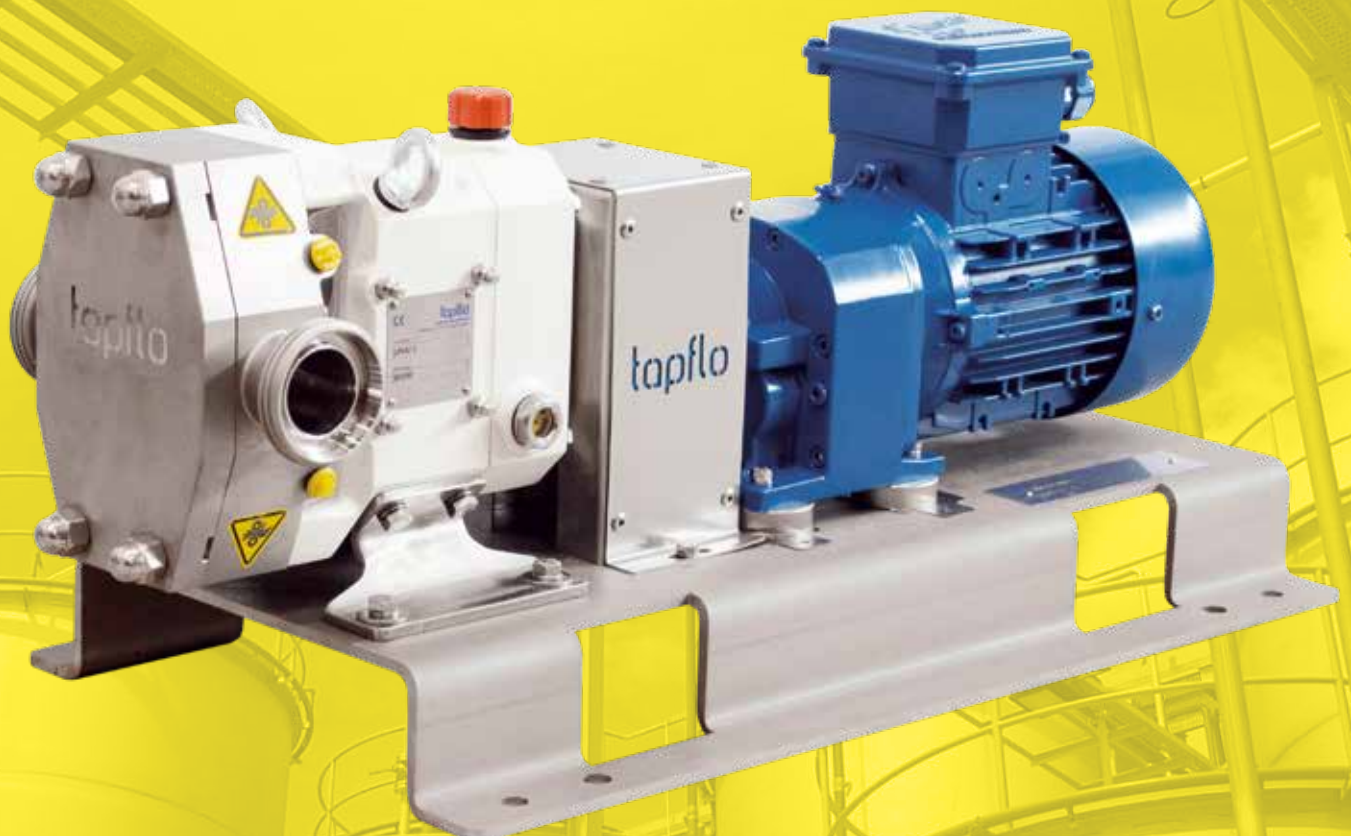


tapflo®

# LPX TAPFLO LOBE PUMPS

2026 | 1



» All about your flow®

[www.tapflo.com](http://www.tapflo.com)

# Lobe Pumps

reliable performance with low noise, robust and gentle fluid transfer

Rotary lobe pumps are positive displacement pumps that utilize two synchronized lobes to move fluid. The lobes are propelled independently via their own shafts, ensuring they don't touch each other or other components of the pump.

This unique construction makes lobe pumps suitable for transferring dense and viscous fluids with fragile structures, and they offer dependable operation with low noise levels and gentle fluid transfer. Additionally, they are optimized for energy efficiency.

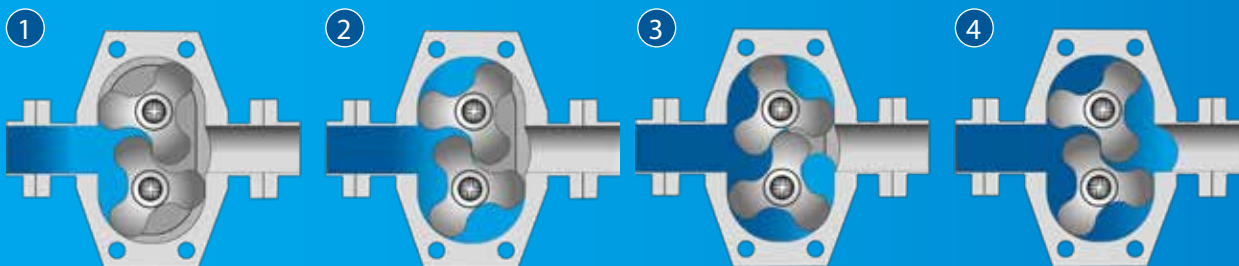


## Features & Benefits

- ✓ Bi-directional flow, horizontal or vertical mounting.
- ✓ Easy to disassemble and reassemble 316L stainless steel pump body and cover.
- ✓ Versatile 4-way mounting of the gear case which also allows vertical positioning of ports.
- ✓ Pumps are energy efficient and easily cleaned, maintained and repaired.
- ✓ Large fluid cavities allow pumping liquids with solids of significant size.
- ✓ No cross-contamination of the product from lubricating oil due to unique gear case design.
- ✓ Single mechanical seals as a standard. Optional double mechanical available on request.

## Working principle

The working principle of a lobe pump is to displace a certain amount of liquid from the suction area, by rotating the working elements (lobes), to the discharge area. The lobes are mounted on shafts, which are seated on bearings in an external synchronizer. Shafts equipped with gears, located inside the synchronizer, transfer the drive from the drive shaft to the intermediate shaft. The lobes are synchronized in such a way that they do not contact each other during operation.



As the lobes rotate, they increase the volume of the space between them, causing a pressure drop on the suction port side (fig. 1). This causes fluid to flow into the pump body. The pumped liquid is transported inside the casing (fig. 2 and fig. 3) to the discharge side of the pump (fig. 4). When the volume of the space between the lobes decreases, it causes an increase in pressure on the discharge side, and consequently the liquid is pushed out of the pump body.

# LPX Tapflo Lobe Pumps

- » **8 pump sizes** available
- » Capacity up to **82 m<sup>3</sup>/h** and maximum pressure of **10 bar**
- » No internal rotor contact
- » Pumps with **flushed double mechanical seals** can **run dry intermittently**
- » Service kits available for rapid replacement of routine service items



Certificates may vary depending on material execution of particular product.

## Technical data

Model	Displacement [litre/rev]	Nominal connection size	Differential pressure rating [bar]	Maximum pump speed [RPM]	Input shaft diameter [mm]	Maximum torque [Nm]	Maximum capacity [l/min]
LPX25-1	0.04	25	10	1200	19	108	48
LPX25-2	0.10	25	10	900	19	108	90
LPX40-1	0.14	40	10	900	19	108	125
LPX40-2	0.23	40	10	900	19	108	208
LPX50-1	0.30	50	10	900	19	108	268
LPX50-2	0.67	50	10	700	38	400	469
LPX80-1	0.94	80	10	700	38	400	660
LPX100-1	2.29	100	10	600	55	1200	1371

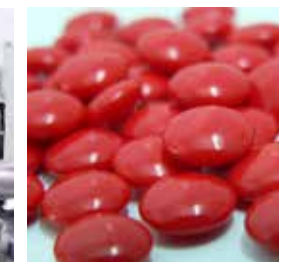
## Wide range of applications

### Industries:

- » **bakery**
- » **beverage**
- » **canning**
- » **confectionery**
- » **cosmetics**
- » **dairy**
- » **chocolate**
- » **meat packing**
- » **pharmaceutical**
- » **chemical**

### Applications:

batters, flavours, frostings, fruit fillings, fats & oils, sweeteners, yeast slurry  
 beer, wort, yeast, soft drinks, fruit concentrates, fruit drinks  
 baby foods, soups, stews, tomato paste, fruit puree, vegetables, diced, slurries, puddings, jams, jellies, salad dressings, mayonnaise  
 syrups, cream fillings, chocolate  
 face creams & lotions, hair styling gels & liquids, essential oils, dyes & alcohols  
 cream, milk, cheese curd & whey, cottage cheese, yoghurt  
 cocoa butter, condensed milk, lecithin, finished chocolate, emulsifiers, sorbitol, aromas, marmalades, toffee, glucose syrups  
 meat emulsions, ground meats, pet foods, animal fats  
 pill pastes, syrups, extracts, emulsions, slurries  
 solvents, fuels, oils & lubricants, paints, resins & polymers, soaps



# Performance and long life through



Heavy-duty tapered roller bearings



316L stainless lobes, body and cover



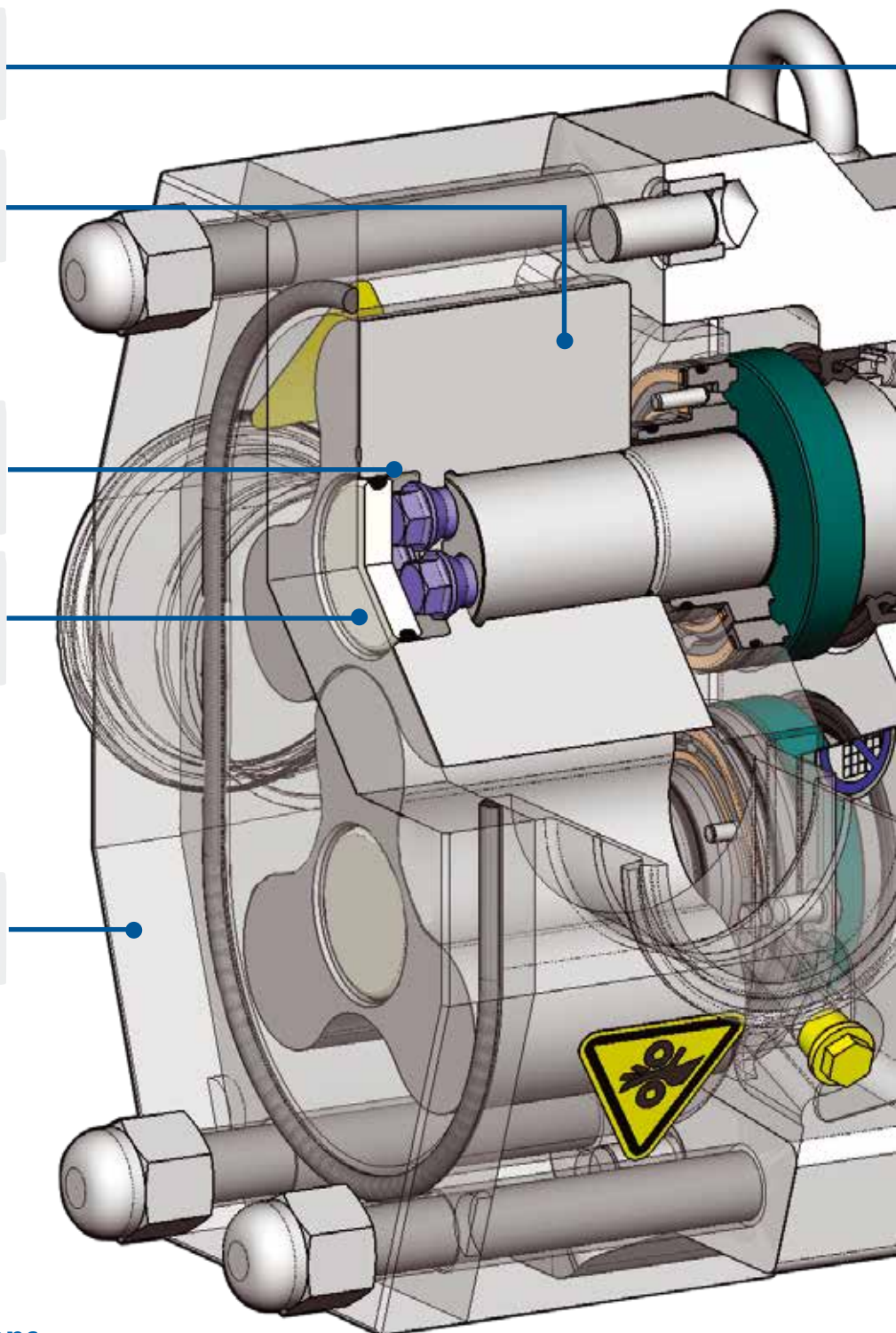
Unique rotor attachment combines accurate rotor positioning and ease of service



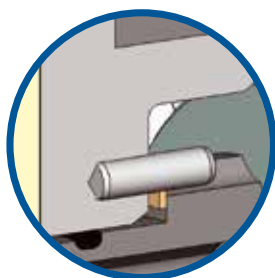
Rotor attachment sealed from product zone



Flat cover for easy cleaning

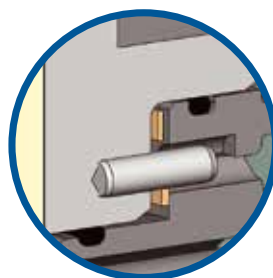


## Options and special executions



### SINGLE MECHANICAL SEAL

Silicon carbide vs. silicon carbide provides long life and protection against abrasive wear.

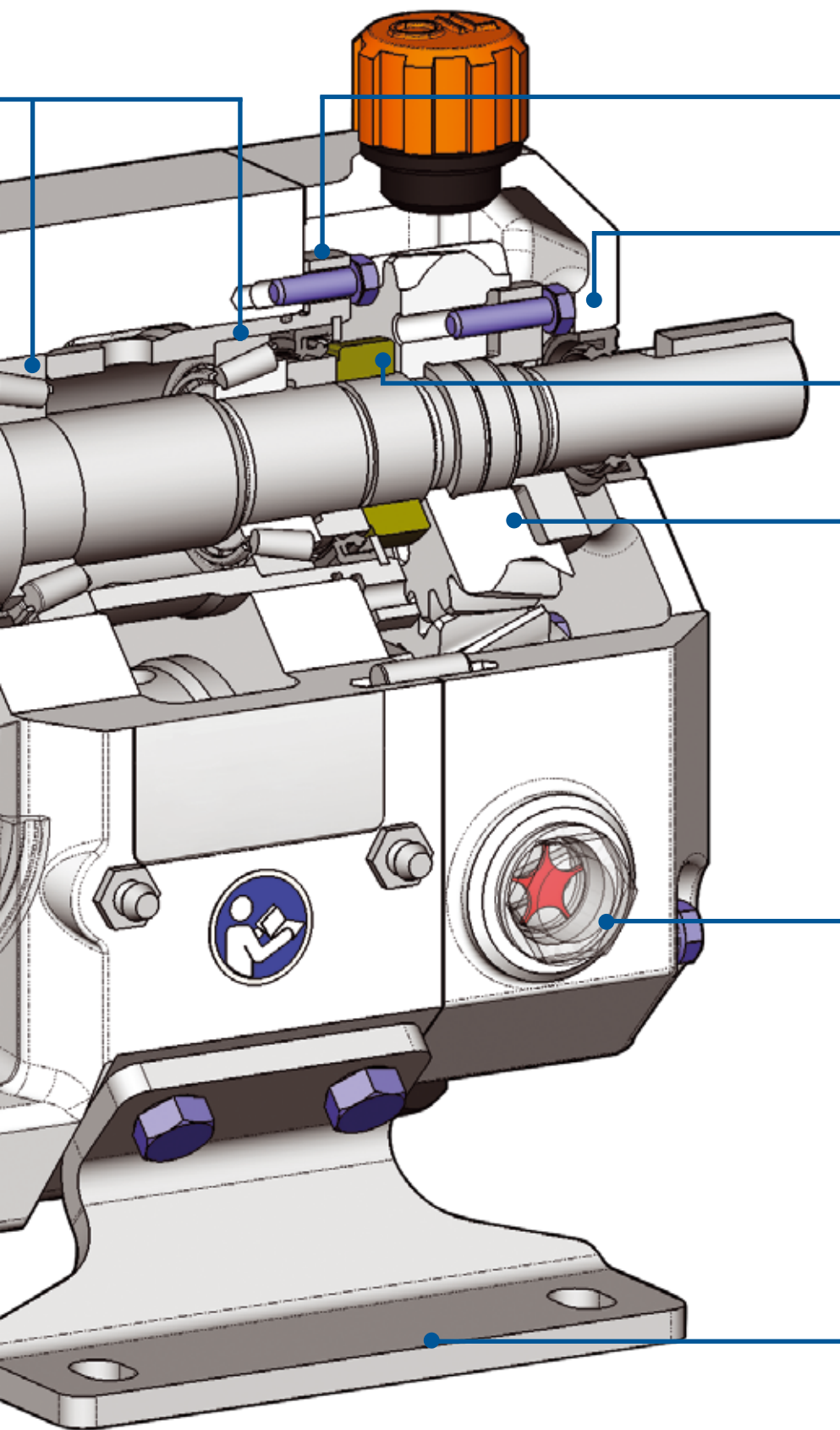


### DOUBLE CONCENTRIC MECHANICAL SEAL

Used with flushing fluid to cool, lubricate, and rinse away residue. Best arrangement for severe service.

- Elastomer choice for O-rings:
- Fluoroelastomer (FKM) FDA standard
  - EPDM FDA optionally

# engineering



✓ Easy access to shims for rotor clearance adjustment

✓ Easy to set and maintain rotor timing

✓ Robust bearing arrangement - pre-loaded tapered roller bearings require no shimming

✓ Helical gears provide for smooth power transmission

✓ Sight glass allows easy indication of oil level

✓ Versatile mounting capabilities

## Application examples



**Pumped liquid** - SLES 70%; 3 bar; 6 m<sup>3</sup>/h  
**Pump** - LPX50-2



**Pumped liquid** - glucose Syrup 80 °Bx  
**Pump** - LPX50-1 with heated cover and double mechanical seal



**Pumped liquid** - cookie fillings, confectionery products  
**Pump** - LPX80-1 with heated cover, installed vertically to save space

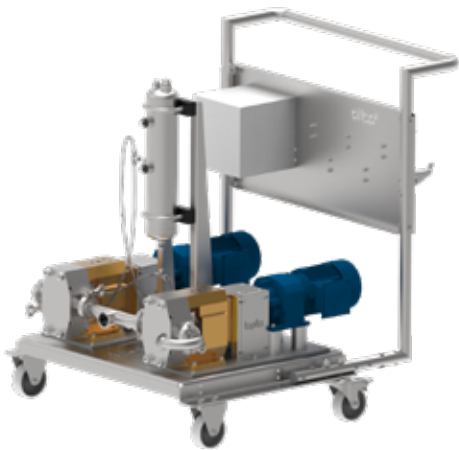


**Pumped liquid** - toothpaste, body scrubs, lotions creams  
**Pump** - LPX50-1 delivering 2 m<sup>3</sup>/h at 5 bar differential pressure



**Pumped liquid** - transporting syrups, chocolate, etc.  
**Pump** - LPX80-1 installed on a truck cistern

## Accessories



**Mobile tailor made solutions** for special customer needs



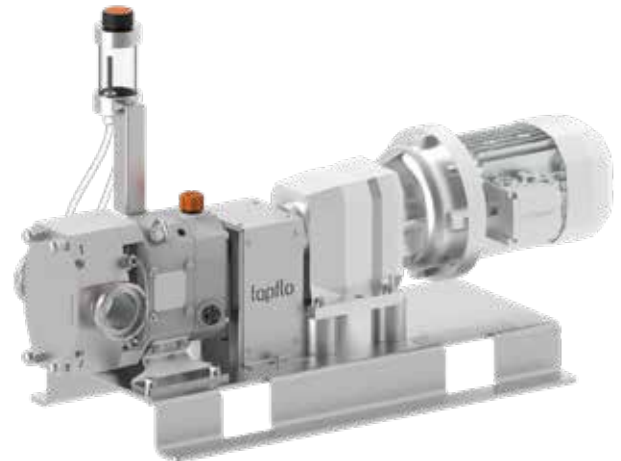
**Standard Tapflo trolleys** with fast delivery time and **IP66 frequency inverters**



**Tank** using thermosyphon effect on heavy duty applications



**Vertical inlet/outlet set up** for pump drainability and easier flow into the suction connection



**AISI 304L stainless steel baseplates** as a standard for all pump sizes



**Lubrication tank** for media crystallising on contact with air



**IP66 inverters** available in stock with fast delivery times



Covers with **heating jackets**

## Sweden

Filaregatan 4 | S-442 34 Kungälv

Tel: +46 303 63390

Fax: +46 303 19916

E-mail addresses:

Commercial questions: [sales@tapflo.com](mailto:sales@tapflo.com)

Orders: [order@tapflo.com](mailto:order@tapflo.com)

Tech support: [support@tapflo.com](mailto:support@tapflo.com)

## Österreich

Töpferweg 1 | 4320 Perg

Tel: +43 732 272 929 10

Fax: +43 732 272 929 00

E-mail: [sales@tapflo.at](mailto:sales@tapflo.at)

## Tapflo products and services are available worldwide.

Tapflo is represented by own Tapflo Group Companies and carefully selected distributors assuring highest Tapflo service quality for our customers' convenience.

AUSTRALIA | AUSTRIA | AZERBAIJAN | BAHRAIN | BELGIUM | BOSNIA | BRAZIL | BULGARIA | CANADA | CHILE | CHINA | COLOMBIA | CROATIA | CZECH REPUBLIC | DENMARK | ECUADOR | EGYPT | ESTONIA | FINLAND | FRANCE | GEORGIA | GERMANY | GREECE | HONG-KONG | HUNGARY | ICELAND | INDIA | INDONESIA | IRELAND | ISRAEL | ITALY | JAPAN | JORDAN | KAZAKHSTAN | KUWAIT | LATVIA | LIBYA | LITHUANIA | MACEDONIA | MALAYSIA | MEXICO | MONTENEGRO | MOROCCO | NETHERLANDS | NEW ZEALAND | NORWAY | OMAN | PHILIPPINES | POLAND | PORTUGAL | QATAR | ROMANIA | SAUDI ARABIA | SERBIA | SINGAPORE | SLOVAKIA | SLOVENIA | SOUTH AFRICA | SOUTH KOREA | SPAIN | SWEDEN | SWITZERLAND | TAIWAN | THAILAND | TURKEY | UKRAINE | UNITED ARAB EMIRATES | UNITED KINGDOM | USA | UZBEKISTAN | VIETNAM

## Tapflo Group Companies

### Australia

Tapflo Oceania (Pty) Ltd.  
Tel: +61 1800303633  
[sales@tapflo.com.au](mailto:sales@tapflo.com.au)

### China

Tapflo (Wuxi) Pumps Co. Ltd.  
Tel: +86 51082417072  
[sales@tapflo.cn](mailto:sales@tapflo.cn)

### Ireland

Tapflo Ireland Ltd.  
Tel: +353 12011911  
[info@tapflo.ie](mailto:info@tapflo.ie)

### Poland

Tapflo Sp. z o.o.  
Tel: +48 609 995 500  
[info@tapflo.pl](mailto:info@tapflo.pl)

### Spain

Tapflo Ibérica S.L.  
Tel: +34 918093182  
[avives@tapfloiberica.es](mailto:avives@tapfloiberica.es)

### Uzbekistan

Tapflo Uzbekistan  
Tel: +998 712370940  
[sales@tapflo.uz](mailto:sales@tapflo.uz)

### Austria

Tapflo GmbH  
Tel: +43 73227292910  
[sales@tapflo.at](mailto:sales@tapflo.at)

### Croatia

Tapflo d.o.o.  
Tel: +385 914884666  
[sales@tapflo.hr](mailto:sales@tapflo.hr)

### Italy

Tapflo Italia S.r.l.  
Tel: +39 0362306528  
[info@tapfloitalia.com](mailto:info@tapfloitalia.com)

### Qatar

Tapflo Gulf General Trading Co. L.L.C  
Tel: +971 58 582 3630  
[sales@tapfloqulf.com](mailto:sales@tapfloqulf.com)

### South Africa

Tapflo (Pty) Ltd.  
Tel: +27 317015255  
[sales@tapflo.co.za](mailto:sales@tapflo.co.za)

### Bahrain

Tapflo Gulf General Trading Co. L.L.C  
Tel: +971 58 582 3630  
[sales@tapfloqulf.com](mailto:sales@tapfloqulf.com)

### Czech Republic

Tapflo s.r.o.  
Tel: +420 513033920  
[tapflo@tapflo.cz](mailto:tapflo@tapflo.cz)

### Japan

Tapflo Japan K.K.  
Tel: +81 362403510  
[tapflojp@tapflo.co.jp](mailto:tapflojp@tapflo.co.jp)

### Romania

S.C. Tapflo Rom. S.r.l.  
Tel: +40 213451255  
[sales@tapflo.ro](mailto:sales@tapflo.ro)

### Sweden

Tapflo AB  
Tel: +46 (0)30314050  
[info@tapflo.com](mailto:info@tapflo.com)

### Baltic States

Tapflo SIA  
Tel: +371 67472205  
[sales@tapflo.lv](mailto:sales@tapflo.lv)

### Denmark

Tapflo Danmark ApS  
Tel: +45 36454600  
[info@tapflo.dk](mailto:info@tapflo.dk)

### Kazakhstan

Tapflo LLP  
Tel: +7 727 327 83 47  
[sales@tapflo.kz](mailto:sales@tapflo.kz)

### Saudi Arabia

Tapflo Gulf General Trading Co. L.L.C  
Tel: +971 58 582 3630  
[sales@tapfloqulf.com](mailto:sales@tapfloqulf.com)

### Turkey

Tapflo Makina Ltd.  
Tel: +90 2164673311  
[sales@tapflo.com.tr](mailto:sales@tapflo.com.tr)

### Belgium

Tapflo Benelux B.V.  
Tel: +31 (0) 6 21850664  
[info@tapflo.nl](mailto:info@tapflo.nl)

### France

Sarl Tapflo France  
Tel: +33188788240  
[info@tapflo.fr](mailto:info@tapflo.fr)

### Kuwait

Tapflo Gulf General Trading Co. L.L.C  
Tel: +971 58 582 3630  
[sales@tapfloqulf.com](mailto:sales@tapfloqulf.com)

### Serbia

Tapflo d.o.o.  
Tel: +381 21445808  
[sales@tapflo.rs](mailto:sales@tapflo.rs)

### Ukraine

Tapflo LLC  
Tel: +380 442226844  
[sales@tapflo.ua](mailto:sales@tapflo.ua)

### Bulgaria

Tapflo EOOD  
Tel: +359 886 124 937  
[office@tapflo.bg](mailto:office@tapflo.bg)

### Hungary

Tapflo Kft.  
Tel: +36 30148 8551  
[office@tapflo.hu](mailto:office@tapflo.hu)

### Netherlands

Tapflo Benelux B.V.  
Tel: +31 (0) 6 21850664  
[info@tapflo.nl](mailto:info@tapflo.nl)

### Slovakia

Tapflo s.r.o.  
Tel: +421 911137883  
[tapflo@tapflo.sk](mailto:tapflo@tapflo.sk)

### United Arab Emirates

Tapflo Gulf General Trading Co. L.L.C  
Tel: +971 58 582 3630  
[sales@tapfloqulf.com](mailto:sales@tapfloqulf.com)

### Canada

Tapflo Canada  
Tel: +1 514 409 8380  
[office@tapflo.ca](mailto:office@tapflo.ca)

### India

Tapflo Fluid Handling India Pvt Ltd.  
Tel: +91 9028574063  
[enquiry@tapflo.in](mailto:enquiry@tapflo.in)

### Oman

Tapflo Gulf General Trading Co. L.L.C  
Tel: +971 58 582 3630  
[sales@tapfloqulf.com](mailto:sales@tapfloqulf.com)

### Slovenia

Tapflo d.o.o.  
Tel: +386 68613474  
[sales@tapflo.hr](mailto:sales@tapflo.hr)

### United Kingdom

Tapflo (UK) Ltd.  
Tel: +44 2380252325  
[sales@tapflo pumps.co.uk](mailto:sales@tapflo pumps.co.uk)



If your country is not listed please visit [www.tapflo.com/en/contact](http://www.tapflo.com/en/contact)