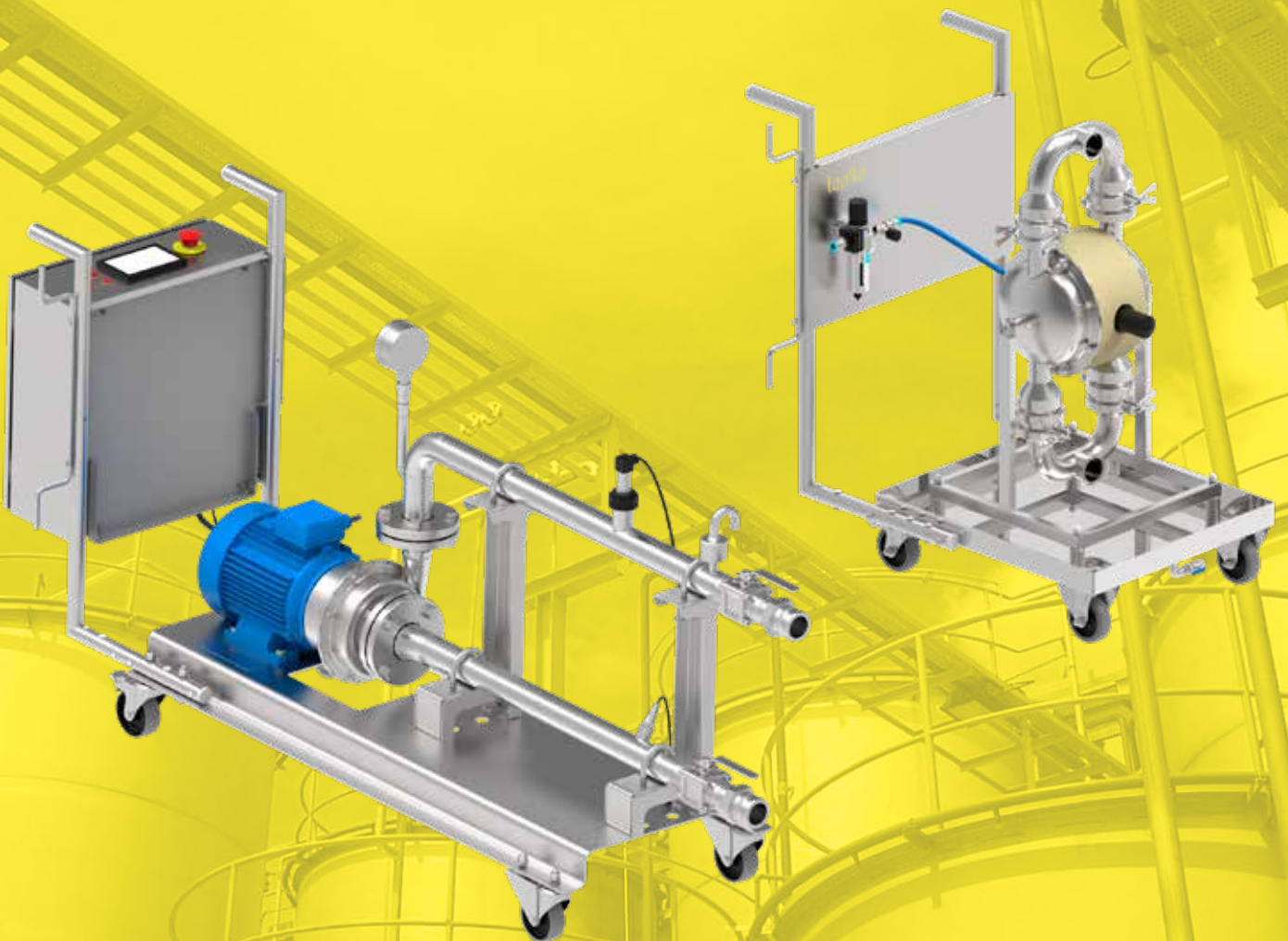


MOBILE PUMP SOLUTIONS

2025 | 1



Mobile Pump Units

the best solution for the users of spread technological processes

The portability of the units allows easy movement to various locations. This means almost limitless application.

Mobile pump units are available in both **hygienic and industrial designs**. The great advantage is the **compatibility with the majority of Tapflo pumps range**.

Moreover, it is possible to **compose the trolley** to your own needs by using a number of accessories such as **air preparation units, ON-OFF switches, frequency inverters or hose holders**.

Hygienic Trolleys

- » Stainless steel polished drip tray
- » Valve for drainage
- » 3 sizes available



Industrial Trolleys

- » Stainless steel construction
- » Compact and strong baseplate
- » 3 sizes available



Features & Benefits

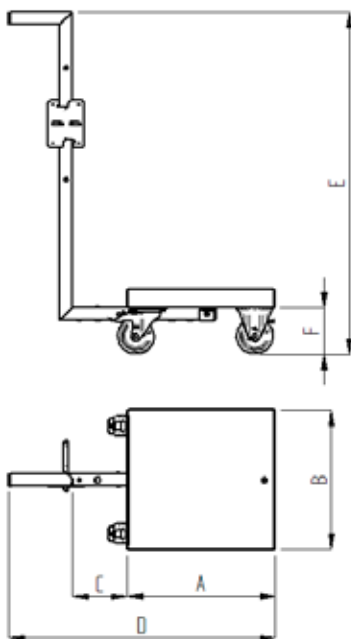
- ✓ Solid, durable and easy to operate
- ✓ Broad scope of available accessories
- ✓ Hose or cable holder included
- ✓ Suitable for wide range of Tapflo pumps
- ✓ Can be used in ATEX zones
- ✓ Removable handles for transport

Codification

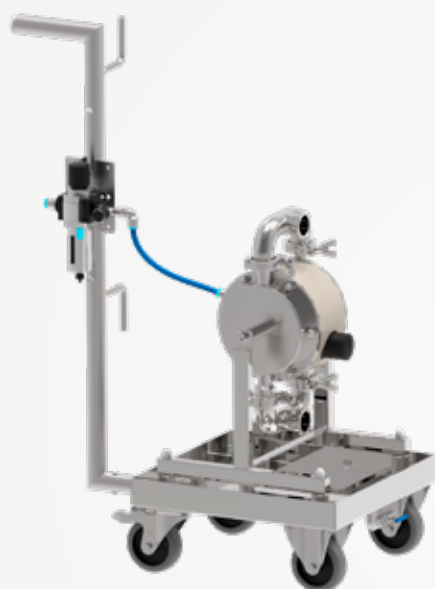
I.	II.	III.	IV.	V.
H	L	03	S	FR
I. Execution: Blank = Industrial H = Hygienic	II. Trolley type: S, M, L	III. Trolley size: 0 = Standard 1, 2, 3, 4, 5, 6, 7 = only for Industrial L size	IV. Option: S = standard execution X = ATEX version	V. Accessories: FR = air preparation set SC = ON/OFF switch FI = frequency inverter

Hygienic Trolleys

Size S



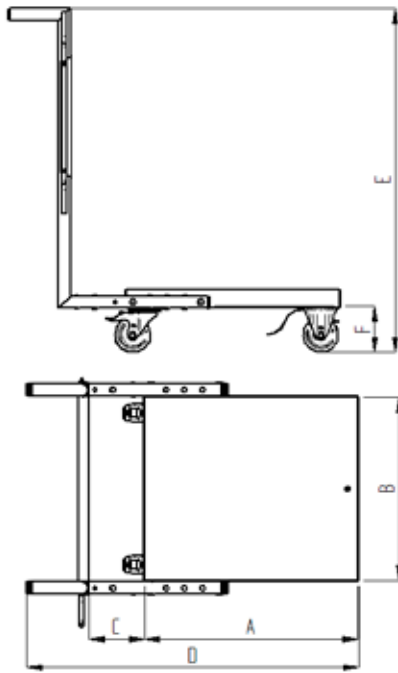
A	B	C	D	E	F
394	376	151	720	957	128



Application recommendations

- » Tapflo air operated diaphragm pumps (sizes: up to T125)
- » Tapflo centrifugal pumps (sizes: up to CT-C)

Size M



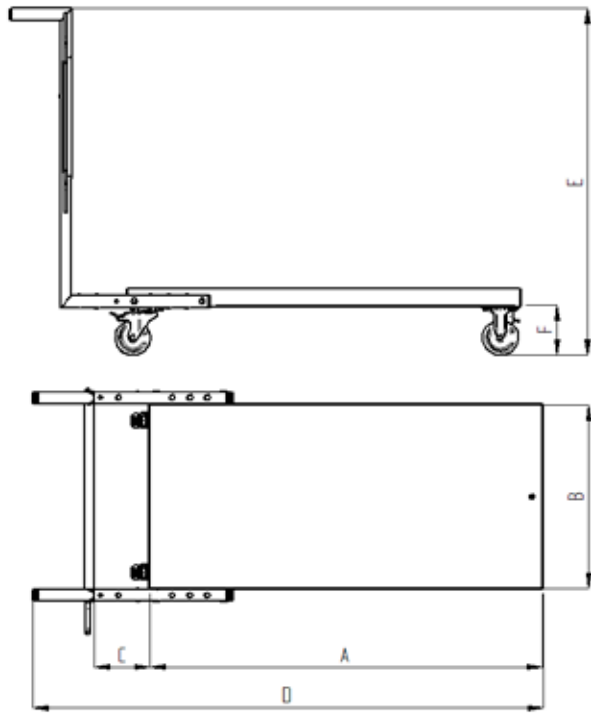
A	B	C	D	E	F
594	510	151	925	957	128



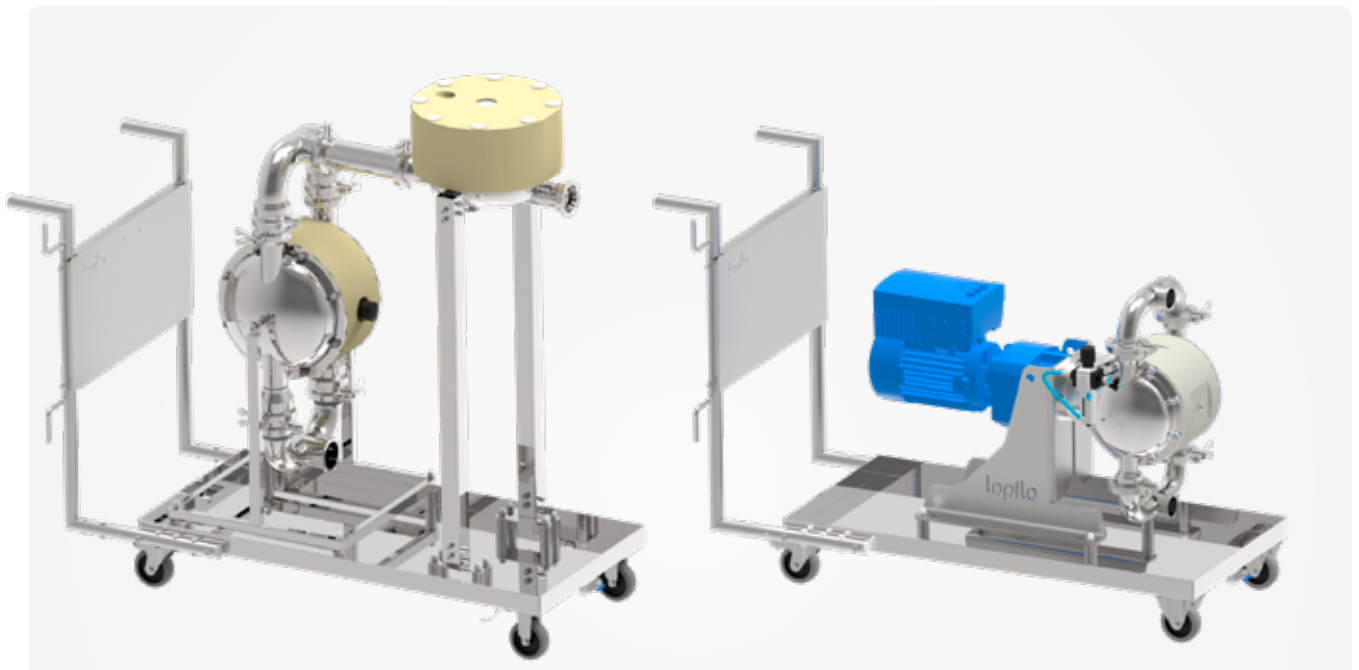
Application recommendations

- » Tapflo air operated diaphragm pumps (sizes: up to T425)
- » Tapflo air operated diaphragm pumps with pulsation dampeners (sizes: up to DT125)
- » Tapflo centrifugal pumps (CT: all sizes, CTX: up to size CTX 75)

Size L



A	B	C	D	E	F
1094	510	151	1425	957	128

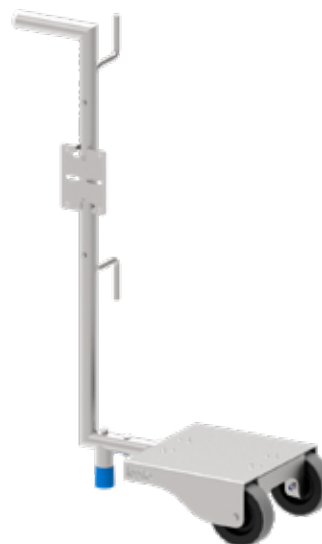
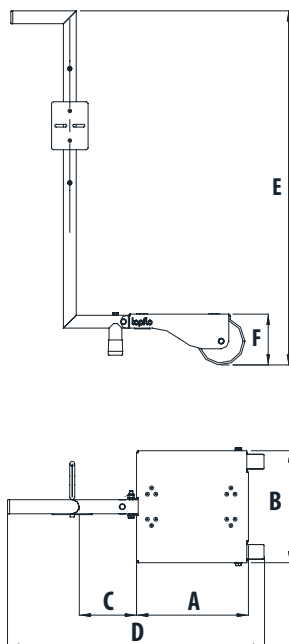


Application recommendations

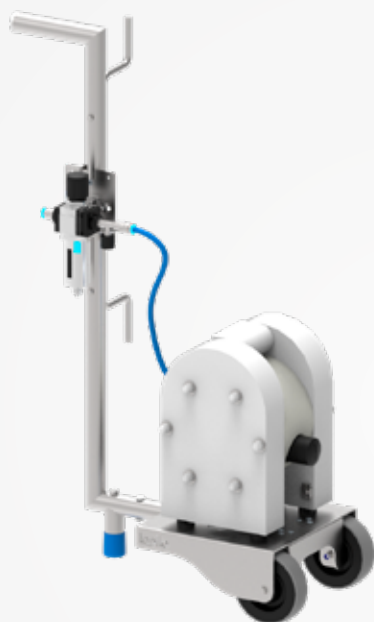
- » Tapflo air operated diaphragm pumps (sizes: up to T425)
- » Tapflo air operated diaphragm pumps with pulsation dampeners (sizes: up to DT425)
- » Tapflo electrically operated diaphragm pumps (EODD: all sizes)
- » Tapflo centrifugal pumps (CT: all sizes, CTX: up to size CTX 220)

Industrial Trolleys

Size S



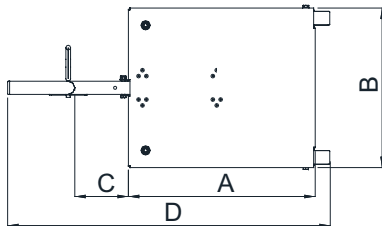
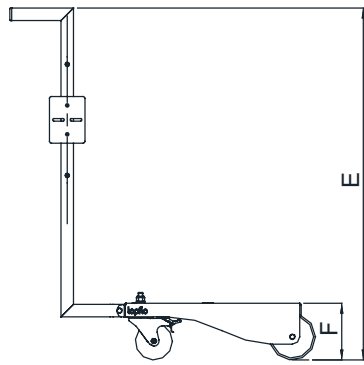
A	B	C	D	E	F
268	268	137,2	615,5	930,5	133,5



Application recommendations

- » Tapflo air operated diaphragm pumps (sizes: up to T100/120, except T80)
- » Tapflo centrifugal pumps (sizes: up to CT-C)

Size M



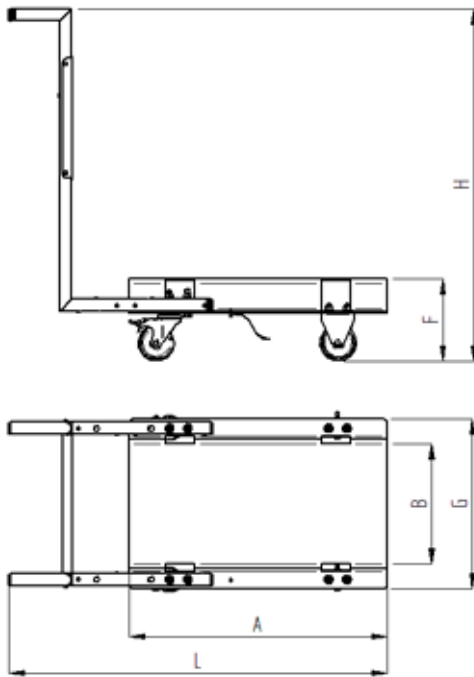
A	B	C	D	E	F
478	408	137,2	825,5	950	153



Application recommendations

- » Tapflo air operated diaphragm pumps (sizes: up to T400/T420, except T425)
- » Tapflo centrifugal pumps, monoblock (CT: all sizes, CTX: up to size CTX 75)

Size L



Trolley type	A	B	F	G	H	I	L
troll L01	500	170	195	320	965	490	870
troll L02	630	225	195	364	965	490	980
troll L03	710	330	221	486	965	490	990
troll L04	900	277	205	420	967	492	1190
troll L05	1120	334	225	510	969	494	1420
troll L06	1250	386	225	560	969	494	1535
troll L07	1400	436	225	620	969	494	1660



Application recommendations

- » Universal, compatible with almost every Tapflo pump
- » Size of a trolley should be matched to dimensions of a pump

Mobile Tapflo Solutions™



MOBILE FILTRATION UNIT: HEAVY-DUTY APPLICATION

Diaphragm pump can handle almost any liquid, also with particles. It is a perfect fit for mobile filtration applications. This system used in heavy industry is solid, automated and air operated. It can be moved around the facility and used for variety of applications.



TANK UNLOADING DIAPHRAGM PUMP ASSEMBLY

Unloading liquids out of various tanks to minimise left-over volume. This is an all-in-one solution, based on a diaphragm pump, assembled on a drip tray that collects any spillage.



CENTRIFUGAL PUMP TRANSFERRING SYSTEM

This unit based on a centrifugal pump is design to unload tanks and to pump required volume of liquid. Dedicated control system allows to perform batching or set pumping capacity value. In addition the pump is protected from overloading and dry-running.



BARREL UNLOADING DIAPHRAGM PUMP ASSEMBLY

Designed to unload liquids out of barrels by using integration of a diaphragm pump, pulsation dampener and a dedicated trolley. Detachable suction lance makes the operation nice and easy.



DIAPHRAGM PUMP UNIT FOR EMERGENCY OPERATION

Pumping out various liquids in case of an emergency leakage out of other devices. Mobile diaphragm pump unit, integrated with a suction lance, liquid storage container and hoses.



MOBILE FILTRATION UNIT: GENERAL INDUSTRY APPLICATION

Mobile filtration units are very appreciated in general industry sector. They are convenient to use, compact and universal. They are used to clean wide range of liquids.



HYGIENIC DIAPHRAGM PUMP WITH SOUND INSULATING COVER

Operating in a hygienic environment often requires dedicated solutions. Our mobile unit allows to use a diaphragm pump at any location, even at the most sound restrictive one.













ELECTRICALLY OPERATED DIAPHRAGM PUMP ASSEMBLY

Tapflo EODD pump controlled by a frequency inverter. Assembled into one unit on an industrial trolley to provide flexible and energy efficient operation.

Product range

Diaphragm pumps

 Electrically operated pumps	 PE & PTFE pumps	 Metal pumps	 Pharmaceutical pumps	 Sanitary pumps
 TC Intelligent pumps	 Powder pumps	 TF Filter press pumps	 Steinle filter press pumps	 Aseptic pumps

Centrifugal pumps

 CTXH & I, CTH & I pumps	 CTXS H & I, CTS H & I self-priming pumps	 CTV vertical pumps	 CTP plastic pumps	 CTM magnetic drive pumps
--	---	---	---	---

Other pumps


Hose pumps


Submersible pumps


LPX Lobe pumps*

Mixers


Industrial Mixers

Systems


HVS Quattro Drum Unloading System

Filters



FT Filter units

Accessories


Pulsation dampeners


Control systems


Hygienic valves


Hygienic & Industrial Trolleys

• offered only in: Australia, Austria, Canada, Denmark, France, Germany, Ireland, Italy, Japan, Netherlands, Portugal, South Africa, Spain, Sweden, United Kingdom

Canada

101-43 Keefer Crt | Hamilton, ON

Tel: +1 514 409 8380

E-mail address: office@tapflo.ca

We began our journey in 1980 in Kungälv, a small town on the Swedish west coast, as a family company with an ambition to one day become a global player on the pump market.

Since the foundation, we have taken pride in delivering a wealth of knowledge and passion for pumps to the industry, whilst supplying a wide range of premium products for various industrial applications.

Over the years, the company has developed into a global Tapflo Group with branches and distributors present in nearly every region of the world.

One thing did not change - we are still a family company.

Tapflo products and services are available worldwide.

Tapflo is represented by own Tapflo Group Companies and carefully selected distributors assuring highest Tapflo service quality for our customers' convenience.

AUSTRALIA | AUSTRIA | AZERBAIJAN | BAHRAIN | BELGIUM | BOSNIA | BRAZIL | BULGARIA | CANADA | CHILE | CHINA | COLOMBIA | CROATIA | CZECH REPUBLIC | DENMARK | ECUADOR | EGYPT | ESTONIA | FINLAND | FRANCE | GEORGIA | GERMANY | GREECE | HONG-KONG | HUNGARY | ICELAND | INDIA | INDONESIA | IRELAND | ISRAEL | ITALY | JAPAN | JORDAN | KAZAKHSTAN | KUWAIT | LATVIA | LIBYA | LITHUANIA | MACEDONIA | MALAYSIA | MEXICO | MONTENEGRO | MOROCCO | NETHERLANDS | NEW ZEALAND | NORWAY | OMAN | PHILIPPINES | POLAND | PORTUGAL | QATAR | ROMANIA | SAUDI ARABIA | SERBIA | SINGAPORE | SLOVAKIA | SLOVENIA | SOUTH AFRICA | SOUTH KOREA | SPAIN | SWEDEN | SWITZERLAND | TAIWAN | THAILAND | TURKEY | UKRAINE | UNITED ARAB EMIRATES | UNITED KINGDOM | USA | UZBEKISTAN | VIETNAM

Tapflo Group Companies

Australia

Tapflo Oceania (Pty) Ltd.
Tel: +61 1800303633
sales@tapflo.com.au

China

Tapflo (Wuxi) Pumps Co. Ltd.
Tel: +86 51082417072
sales@tapflo.cn

Ireland

Tapflo Ireland Ltd.
Tel: +353 12011911
info@tapflo.ie

Poland

Tapflo Sp. z o.o.
Tel: +48 609 995 500
info@tapflo.pl

Spain

Tapflo Ibérica S.L.
Tel: +34 918093182
avives@tapfloiberica.es

Uzbekistan

Tapflo Uzbekistan
Tel: +998 712370940
sales@tapflo.uz

Austria

Tapflo GmbH
Tel: +43 73227292910
sales@tapflo.at

Croatia

Tapflo d.o.o.
Tel: +385 914884666
sales@tapflo.hr

Italy

Tapflo Italia S.r.l.
Tel: +39 0362306528
info@tapfloitalia.com

Qatar

Tapflo Gulf General Trading Co. L.L.C
Tel: +971 58 582 3630
sales@tapfloqatar.com

South Africa

Tapflo (Pty) Ltd.
Tel: +27 317015255
sales@tapflo.co.za

Bahrain

Tapflo Gulf General Trading Co. L.L.C
Tel: +971 58 582 3630
sales@tapfloqatar.com

Czech Republic

Tapflo s.r.o.
Tel: +420 513033920
tapflo@tapflo.cz

Japan

Tapflo Japan K.K.
Tel: +81 362403510
tapflojp@tapflo.co.jp

Romania

S.C. Tapflo Rom. S.r.l.
Tel: +40 213451255
sales@tapflo.ro

Sweden

Tapflo AB
Tel: +46 (0)30314050
info@tapflo.com

Baltic States

Tapflo SIA
Tel: +371 67472205
sales@tapflo.lv

Denmark

Tapflo Danmark ApS
Tel: +45 36454600
info@tapflo.dk

Kazakhstan

Tapflo LLP
Tel: +7 727 327 83 47
sales@tapflo.kz

Saudi Arabia

Tapflo Gulf General Trading Co. L.L.C
Tel: +971 58 582 3630
sales@tapfloqatar.com

Turkey

Tapflo Makina Ltd.
Tel: +90 2164673311
sales@tapflo.com.tr

Belgium

Tapflo Benelux B.V.
Tel: +31 (0) 6 21850664
info@tapflo.nl

France

Sarl Tapflo France
Tel: +33188788240
info@tapflo.fr

Kuwait

Tapflo Gulf General Trading Co. L.L.C
Tel: +971 58 582 3630
sales@tapfloqatar.com

Serbia

Tapflo d.o.o.
Tel: +381 21445808
sales@tapflo.rs

Ukraine

Tapflo LLC
Tel: +380 442226844
sales@tapflo.ua

Bulgaria

Tapflo EOOD
Tel: +359 886 124 937
office@tapflo.bg

Hungary

Tapflo Kft.
Tel: +36 30148 8551
office@tapflo.hu

Netherlands

Tapflo Benelux B.V.
Tel: +31 (0) 6 21850664
info@tapflo.nl

Slovakia

Tapflo s.r.o.
Tel: +421 911137883
tapflo@tapflo.sk

United Arab Emirates

Tapflo Gulf General Trading Co. L.L.C
Tel: +971 58 582 3630
sales@tapfloqatar.com

Canada

Tapflo Canada
Tel: +1 514 409 8380
office@tapflo.ca

India

Tapflo Fluid Handling India Pvt Ltd.
Tel: +91 9028574063
enquiry@tapflo.in

Oman

Tapflo Gulf General Trading Co. L.L.C
Tel: +971 58 582 3630
sales@tapfloqatar.com

Slovenia

Tapflo d.o.o.
Tel: +386 68613474
sales@tapflo.hr

United Kingdom

Tapflo (UK) Ltd.
Tel: +44 2380252325
sales@tapflo pumps.co.uk



If your country is not listed please visit www.tapflo.com/en/contact