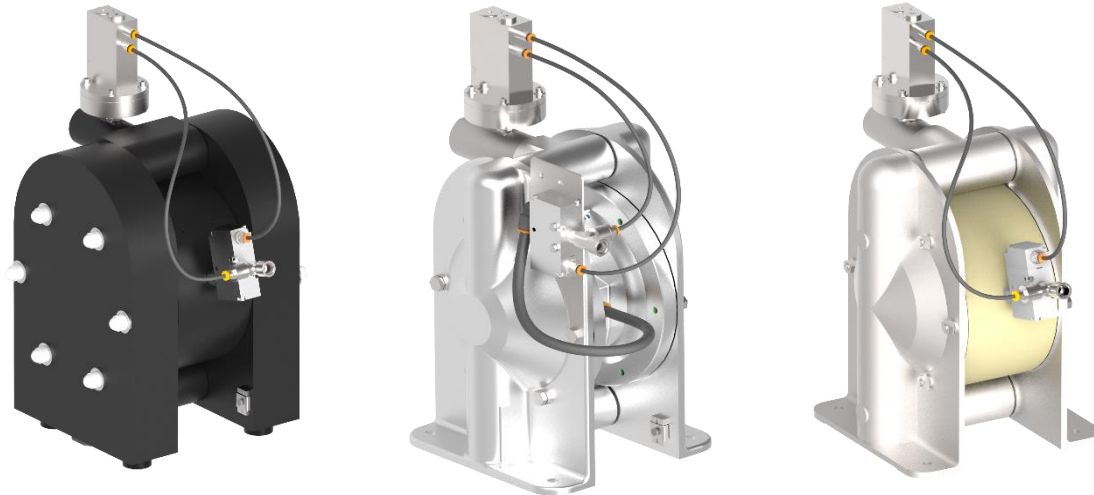
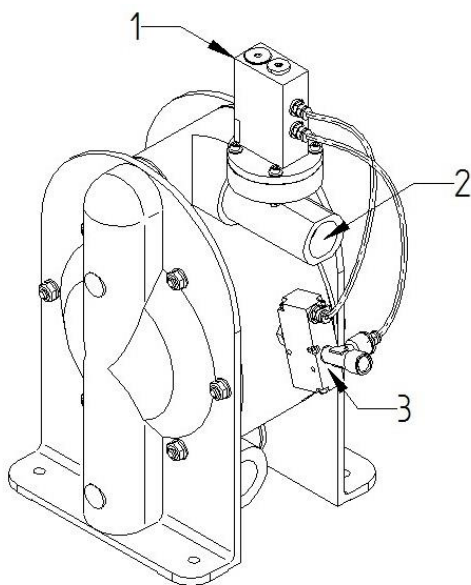


PNEUMATIC DEAD HEAD STOP AND AUTOMATIC RESTART PROTECTION SYSTEM (PDHR)



This pneumatic protection system turns of the pump if the discharge pressure rises to the set point. It means, that the pump will not be working inefficiently.

By using this closed discharge valve protection system, the lifetime of the pump's diaphragm can be elongated. Moreover, the consumption of the compressed air can be reduced. It also limits the discharge pressure of the pump, which means more safe and reliable operation. When the discharge is open, pump will start automatically.



Product code:

PDHR-xxx

Pump size _____

Spare parts:

1	Guardian	GRDD-xxx
2	Wet part adapter	ADPT-xxx
3	Pneumatic set	PNEK-xxx

