

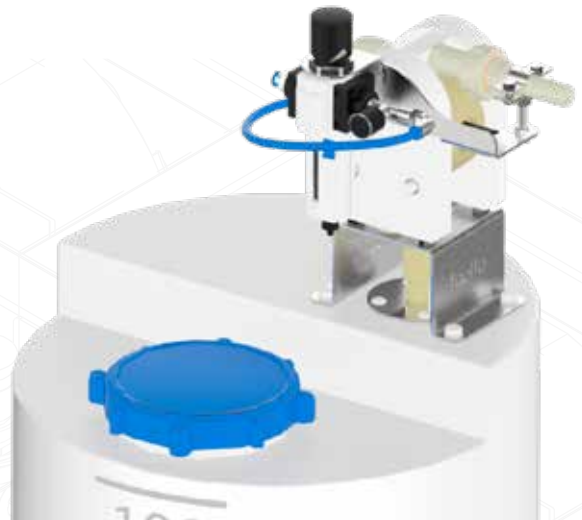
## Make it simple & versatile

Tapflo Tank Units are perfect for storing and transferring or dosing liquids in every branch of industry.

The solution based on Diaphragm Pump operation is suitable for handling almost any kind of liquid whether it is viscous, chemically aggressive, or with solids.

Various sizes of tanks and robust pumps in multiple executions are available together with additional equipment.

This is how we created the most **simple and versatile** pumping solutions on the market.



**Storing and pumping chemicals has never been so easy!**

### Sample assemblies



100 liters tank  
TR20 pump (up to 24 l/min)



300 liters tank  
TR20 pump (up to 24 l/min)



500 liters tank  
T50 pump (up to 60 l/min)

### Features

- All-in-one** pumping solution with integrated **Tapflo diaphragm pump**
- Few** components, **easy** installation and **long-life** design
- Built-on **air treatment system** (filter regulator, needle valve)
- Available options:**
  - » support stand
  - » circulation pipe
  - » manual mixer

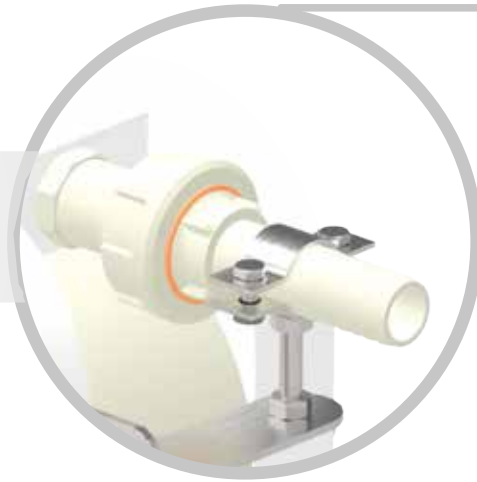
### Benefits

- Ready for **immediate start** providing **flexible** and **reliable** pumping process
- User-friendly** solution of low downtime and maintenance cost
- Easy to control and adjust** (pressure, capacity)
- Wide applicability** and **flexible** possibilities of configuration

# Main elements of Tapflo Tank Unit



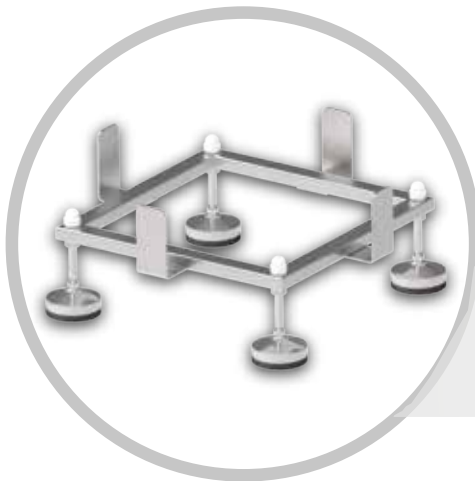
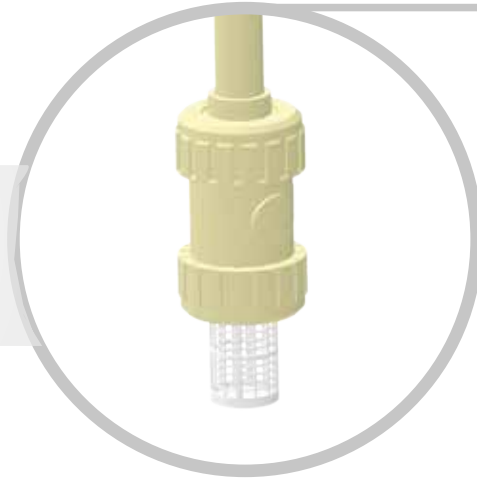
**Flexible hose connector:**  
Simple and stable connection  
to fit flexible hoses.



**Diaphragm Pump:**  
Suitable to handle almost  
every liquid.  
It is a chemically resistant,  
solid and strong pump.

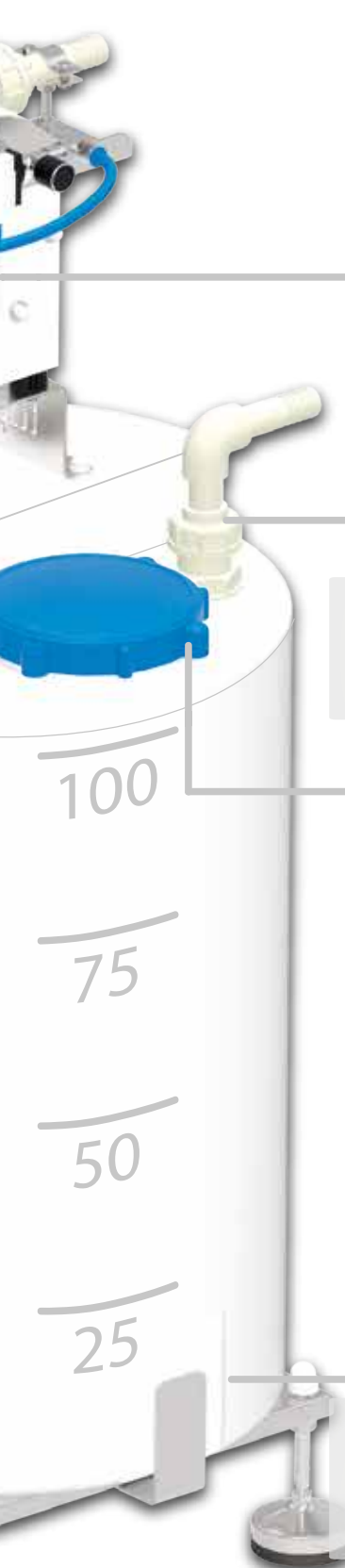


**Suction lance, strainer,  
foot valve:**  
Liquid filtration and  
protection from spillage.



**Support stand:**  
For transportation  
and stable positioning





**Filter regulator & needle valve:**

Control discharge pressure and pumping capacity.



**Circulation pipe:**

With flexible hose connector.



**Lid of tank:**

Use built-on pipe to fill tank with liquid. Then close it tight with a lid.



**Scale in liters:**

Control volume of liquid by using scale put on side of a tank.

# Wide range of applications



**Food & Beverage**



**Chemicals process industry**

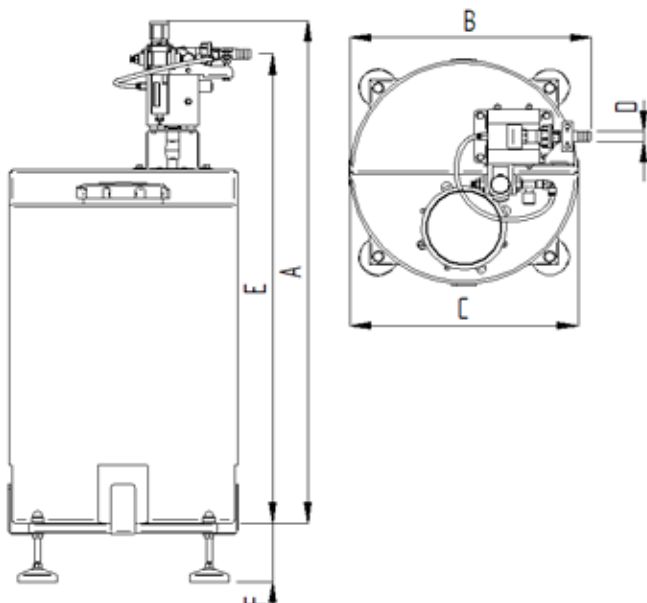


**Household chemicals & cosmetics**



**Water treatment**

## Dimensions



Dimensions in mm (where other is not indicated)

Model	A	B	C	D	E	F
TNK-100-TR20PTT	1031	487	460	Ø20	963	120
TNK-100-T50PTT	1104	415		Ø25	1033	
TNK-300-TR20PTT	1136	709	770	Ø20	1068	
TNK-300-T50PTT	1209	734		Ø25	1138	
TNK-500-TR20PTT	1510	709		Ø20	1454	
TNK-500-T50PTT	1597	733	Ø25	1524		
Compressed air connection						
TR20 PTT	Ø8 Push-in fitting					
T50 PTT	Ø10 Push-in fitting					

## Tapflo Tank Unit Code

I.	II.	III.	IV.
<b>TNK</b>	<b>100</b>	<b>TR20PTT</b>	<b>CMS</b>
<b>I. TNK = Tapflo Tank Unit</b> <b>II. Tank volume:</b> 100 liters 300 liters 500 liters	<b>III. Included pump size:</b> (standard material code is PTT) TR20 PTT T50 PTT	<b>IV. Options:</b> blank = no options C = circulation pipe M* = manual mixer S = support stand * cannot be equipped with TNK-100-T50PTT	

**TAPFLO AB**  
Sweden

Filaregatan 4 | S-442 34 Kungälv  
Tel: + 46 303 63390  
Fax: + 46 303 19916

Enquiries: [sales@tapflo.com](mailto:sales@tapflo.com)  
Orders: [order@tapflo.com](mailto:order@tapflo.com)  
Tech support: [support@tapflo.com](mailto:support@tapflo.com)

This brochure is for informational purposes only and does not constitute an offer